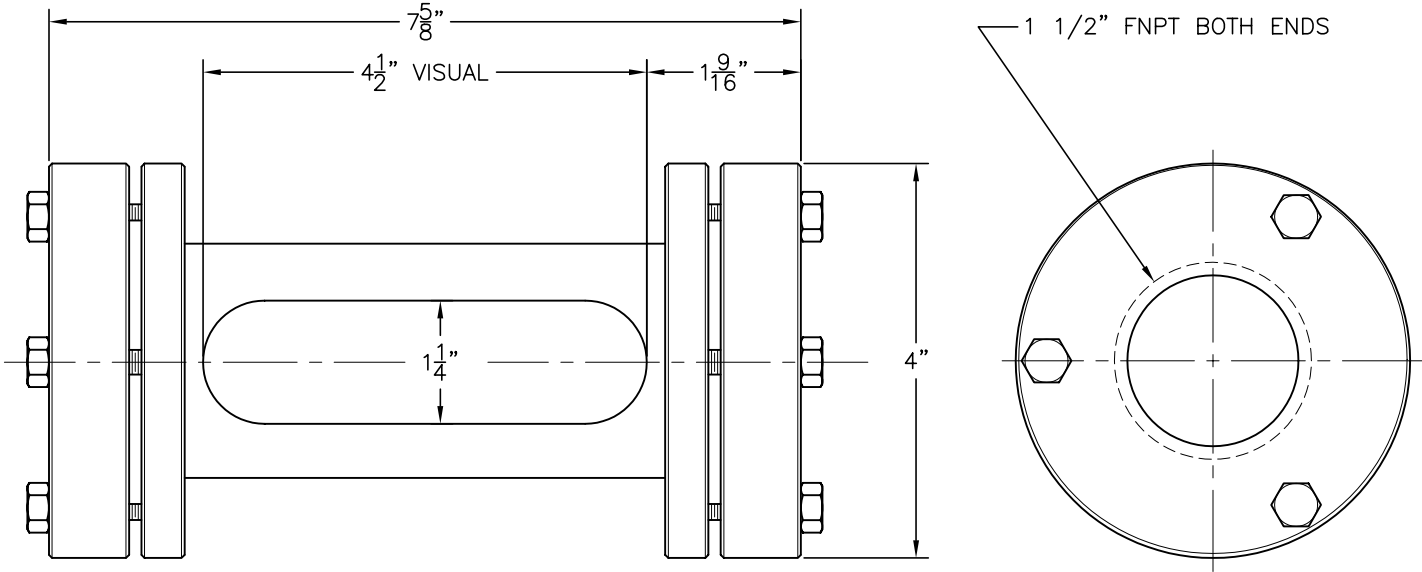


MODEL ASF-TH-1.50



DIMENSION ARE FOR REFERENCE PURPOSES ONLY
AND ARE SUBJECT TO CHANGE AT ANY TIME WITHOUT
NOTICE.

COPYRIGHT © 2003-KENCO INTERNATIONAL, INC.-ALL RIGHTS RESERVED

REV.	DATE	BY	ECN	EXPLANATION:

KENCO ENGINEERING COMPANY TULSA, OKLAHOMA		
INDICATOR, SIGHT FLOW (OUTLINE DRAWING) MODEL ASF-TH-1.50		
DATE: 02-03-03 DRN. BY: DPS SCALE: NONE	SHEET: 1 OF 1 CHKD. BY: REVISION:	DRAWING NUMBER C-43645