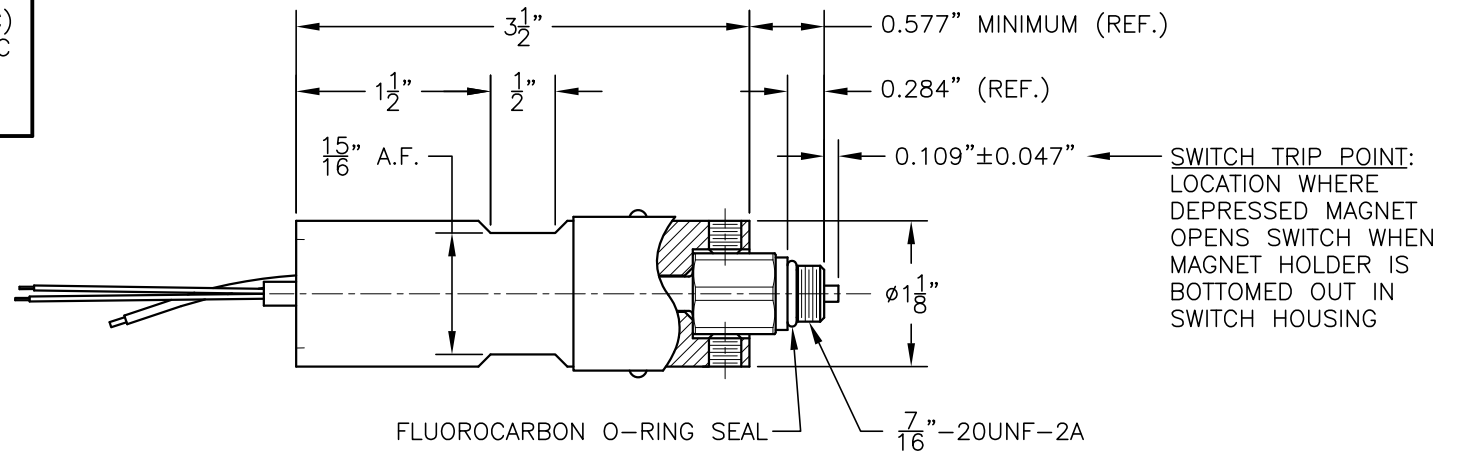


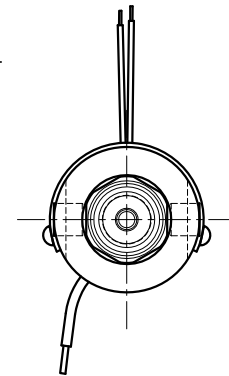
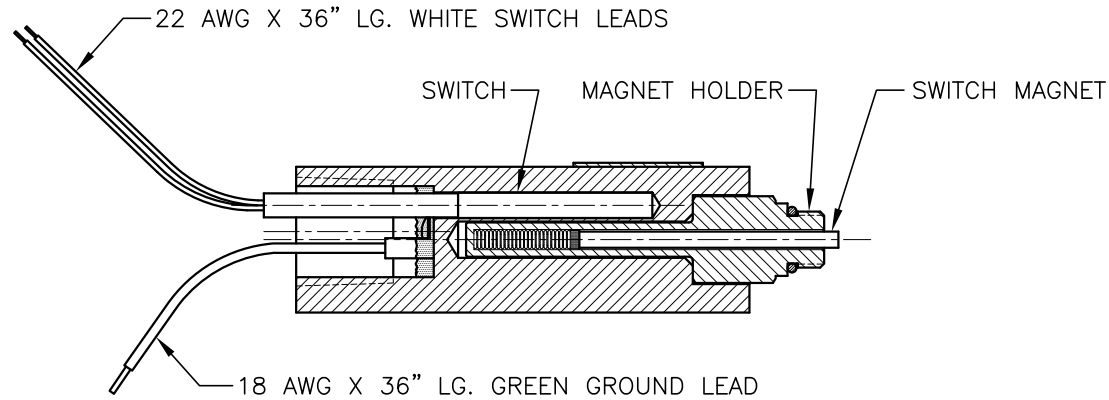
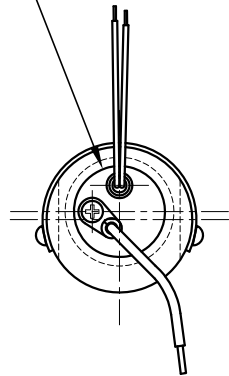
SWITCH ELECTRICAL SPECIFICATIONS:

- SWITCH CIRCUITRY: S.P.S.T. (N.O.)
- MAX SWITCH TEMPERATURE: 221°F (105°C)
- MAX. SWITCH VOLTAGE: 200 VOLTS DC/AC
- MAX SWITCH CURRENT: 0.5 AMP DC/AC
- MAX. SWITCH POWER: 10 WATTS



SWITCH TRIP POINT:
LOCATION WHERE
DEPRESSED MAGNET
OPENS SWITCH WHEN
MAGNET HOLDER IS
BOTTOMED OUT IN
SWITCH HOUSING

1/2" FNPT CONDUIT CONNECTION



INFORMATION IS PROPRIETARY TO KENCO ENGINEERING CO.

REV.	DATE	BY	CHKD.	ECN	EXPLANATION:	KENCO ENGINEERING COMPANY TULSA, OKLAHOMA
B	04-23-13	RDM	DM	N/A	RESEQUENCED ITEM NUMBERS; ITEM 1 P/N WAS B-25675; MOVED B-25675 BOM ITEMS TO THIS PRINT; ADDED GENERAL NOTE, SWITCH TRIP POINT DIMENSION/NOTE AND SHEET 2 OF 2	
						SWITCH, PROXIMITY (ASSEMBLY) FOR 1995 AND LATER TRABON DIVIDER VALVE
						DATE: 03-18-99 SHEET: 1 OF 2 DRAWING NUMBER
						DRN. BY: DWC CHKD. BY: SKM B-25654-T2
						SCALE: 1"=1" REVISION: B