



## KENCO WATER FILLER CAP ASSEMBLIES

### OVERVIEW

KENCO Water Filler Cap Assemblies provide a means of adding or checking fluid in an engine or surge/expansion tank. The Water Filler Cap Assemblies consist of a filler neck with a common automotive radiator type cap. Three different configurations are available with the option of a 7 psi or 15 psi pressure rating.



**MODEL 390 WITH 1" MNPT**

The Model 390 has an automotive type radiator cap. It is supplied with a 1/4" Ø bleed hole in the filler neck. Two models are available.

-----

#### 390-7

Includes a 7 psi rated, full pressure, closed system (compatible for coolant recovery bottles), coolant cap featuring cooling system compatible Nitrile seals.

Operating Temperature Range: -30°F to +285°F  
Vacuum Cracking Pressure: 0 to 5.5 kPa

#### 390-15

Includes a 15 psi rated, full pressure, closed system (compatible for coolant recovery bottles), coolant cap featuring cooling system compatible Nitrile seals.

Operating Temperature Range: -30°F to +285°F  
Vacuum Cracking Pressure: 0 to 5.5 kPa



**MODEL 29508 WITH 1" MNPT**

The Model 29508 has an automotive type radiator cap. It is supplied with a 1/4" O.D. overflow tube in the filler neck. Two models are available.

-----

#### 29508-7

Includes a 7 psi rated, full pressure, closed system (compatible for coolant recovery bottles), coolant cap featuring cooling system compatible Nitrile seals.

Operating Temperature Range: -30°F to +285°F  
Vacuum Cracking Pressure: 0 to 5.5 kPa

#### 29508-15

Includes a 15 psi rated, full pressure, closed system (compatible for coolant recovery bottles), coolant cap featuring cooling system compatible Nitrile seals.

Operating Temperature Range: -30°F to +285°F  
Vacuum Cracking Pressure: 0 to 5.5 kPa



**MODEL 1794 WITH 2" FNPT**

The Model 1794 has a truck radiator cap. It is supplied with a 5/16" O.D. overflow tube in the filler neck. Two models are available.

-----

#### 1794-7

Includes a 7 psi rated, full pressure, open system (overflow vents to atmosphere), coolant cap featuring a cooling system compatible Nitrile seal.

Operating Temperature Range: -30°F to +285°F  
Vacuum Cracking Pressure: 0 to 5.5 kPa

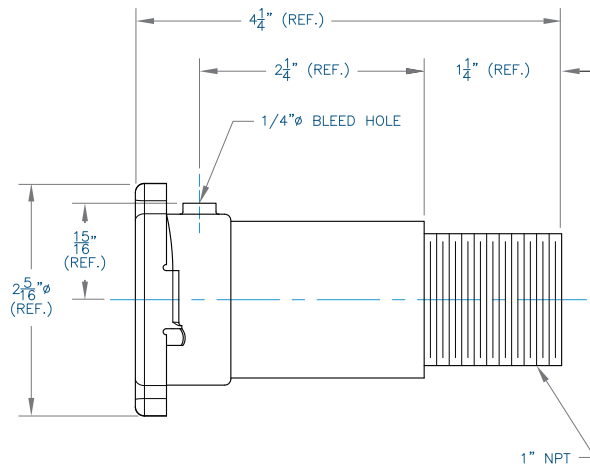
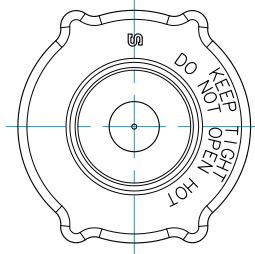
#### 1794-15

Includes a 15 psi rated, full pressure, open system (overflow vents to atmosphere), coolant cap featuring a cooling system compatible Nitrile seal.

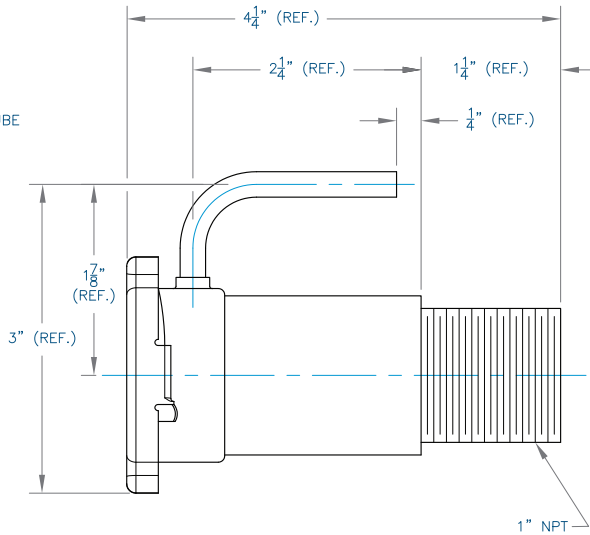
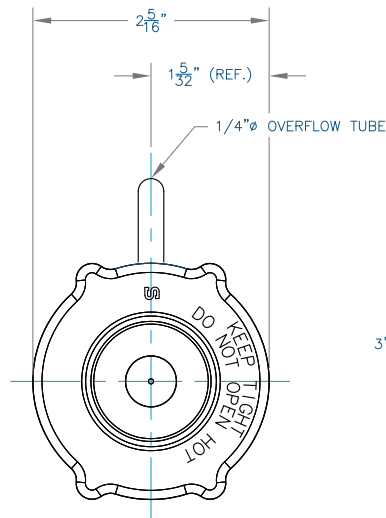
Operating Temperature Range: -30°F to +285°F  
Vacuum Cracking Pressure: 0 to 5.5 kPa

## WATER FILLER CAP ASSEMBLIES

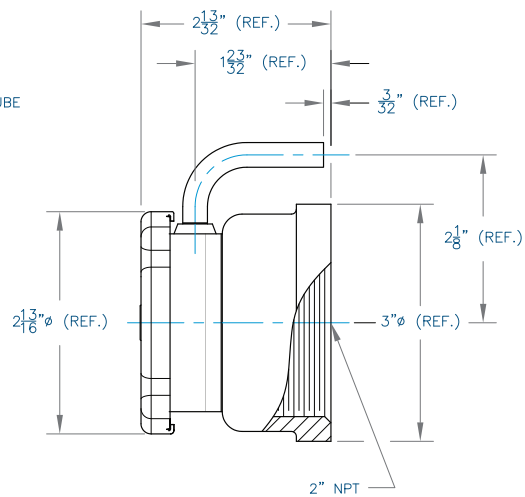
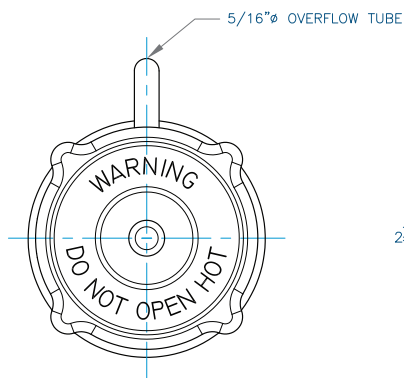
Model #  
390-7  
390-15



Model #  
29508-7  
29508-15



Model #  
1794-7  
1794-15



Represented by:

Kenco Sales Offices:

10001 E 54th St.  
Tulsa, Oklahoma 74146  
phone 918.663.4406  
fax 918.663.4480  
www.kenco-eng.com  
email: info@kenco-eng.com

Baton Rouge Office

11616 Industriplex, Suite 7  
Baton Rouge, LA 70809  
phone 225.755.1912  
fax 225.755.1913  
www.kenco-eng.com  
email: kenco-la@kenco-eng.com

82723

6-03-2019

