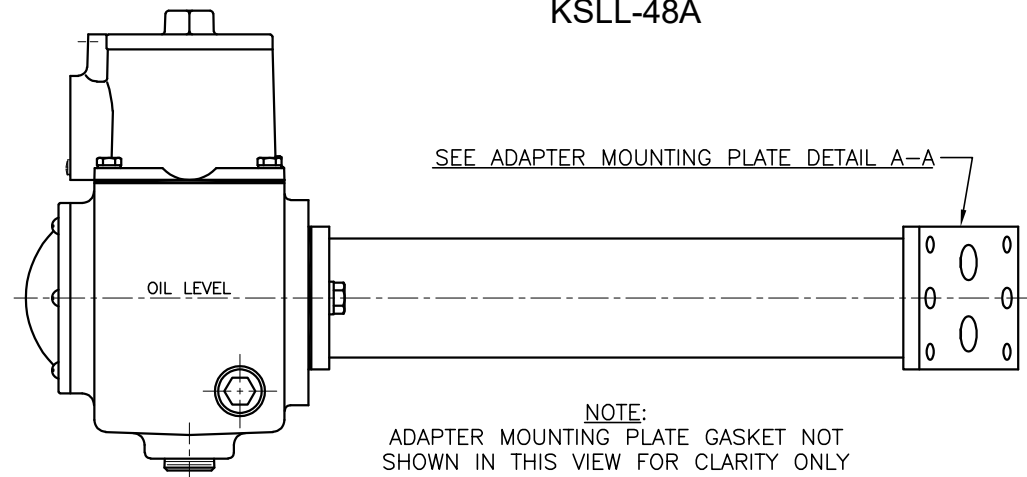
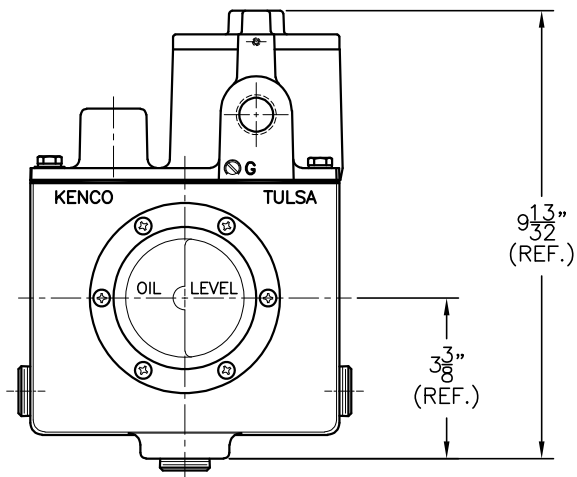


ADAPTER MOUNTING PLATE DETAIL A-A

DIMENSIONAL NOTE:
FOR DETAIL DIMENSIONS OF OIL
LEVEL CONTROLLER, REFER TO
KLCE OUTLINE DRAWING

MODELS ILLUSTRATED:

- KLCE-48A
- KLCE-DPDT-48A
- KHL-48A
- KHL-DPDT-48A
- KSHL-48A
- KSLL-48A



NOTE:
ADAPTER MOUNTING PLATE GASKET NOT
SHOWN IN THIS VIEW FOR CLARITY ONLY

DIMENSIONS ARE FOR REFERENCE PURPOSES ONLY AND
ARE SUBJECT TO CHANGE AT ANY TIME WITHOUT NOTICE.
INFORMATION IS PROPRIETARY TO KENCO ENGINEERING CO.

FOR ARIEL CORPORATION COMPRESSORS:
JGB (4/6 CYLINDER), JGC (2 CYLINDER), JGD (2
CYLINDER), JGF (2 CYLINDER) AND JGV (4/6 CYLINDER)

REV.	DATE	BY	CHKD.	ECN	EXPLANATION:	KENCO ENGINEERING COMPANY TULSA, OKLAHOMA
A	11-28-05	RDM	DM	N/A	19-1/2" (REF.) WAS 19-9/32" (REF.)	
B	02-14-22	RDM	DM	N/A	ADDED JGC, JGD & JGF COMPRESSORS	DATE: 07-22-05 SHEET: 1 OF 1 DRN. BY: DS/DM CHKD. BY: RDM SCALE: 1/2"=1" REVISION: B
						DRAWING NUMBER C-49096