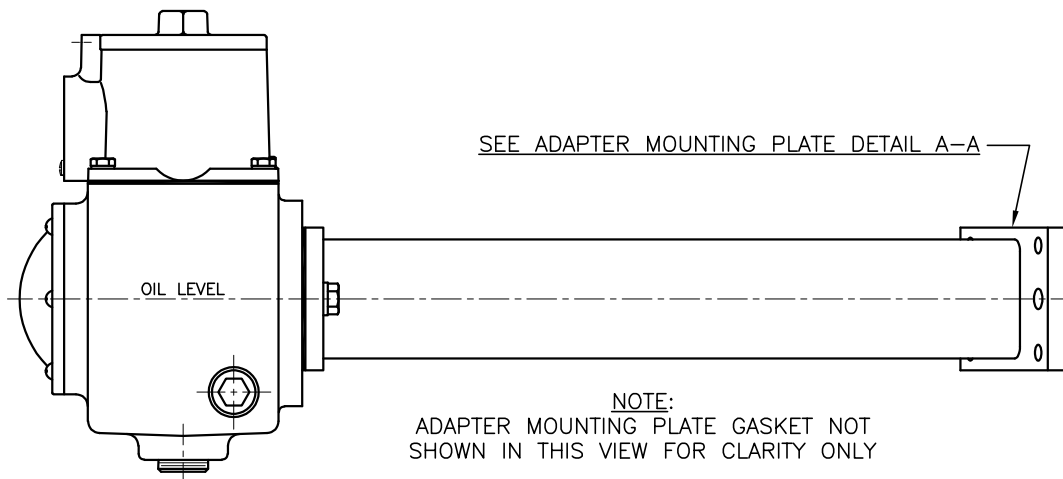
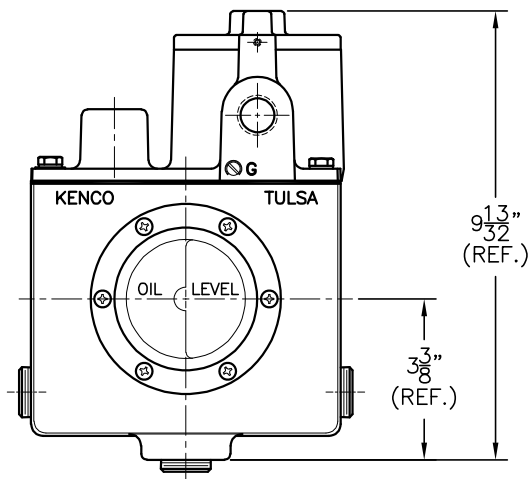


ADAPTER MOUNTING PLATE DETAIL A-A

DIMENSIONAL NOTES:
 DRAWING REFLECTS KLCE, KHL, KSHL AND KSLL TYPE CONTROLLERS. FOR DETAILED DIMENSIONS OF THESE AND OTHER CONTROLLERS AND SWITCHES, REFER TO OUTLINE DRAWING FOR SPECIFIC UNIT DESIRED.



NOTE:
 ADAPTER MOUNTING PLATE GASKET NOT SHOWN IN THIS VIEW FOR CLARITY ONLY

DIMENSIONS ARE FOR REFERENCE PURPOSES ONLY AND ARE SUBJECT TO CHANGE AT ANY TIME WITHOUT NOTICE. INFORMATION IS PROPRIETARY TO KENCO ENGINEERING CO.

**FOR ARIEL CORPORATION COMPRESSORS:
 KBU (2/4/6 CYLINDER) AND KBZ (2/4/6 CYLINDER)**

REV.	DATE	BY	CHKD.	ECN	EXPLANATION:
A	08-09-19	RDM	BRC	N/A	REMOVED ITEM NUMBERS FROM BOM FOR PARTS SUPPLIED BUT NOT SHOWN

KENCO ENGINEERING COMPANY TULSA, OKLAHOMA		
CONTROLLER, OIL LEVEL MODEL KLCE TYPE WITH TYPE 26 ADAPTER		
DATE: 03-23-16	SHEET: 1 OF 2	DRAWING NUMBER
DRN. BY: RDM	CHKD. BY: KLM	C-75699
SCALE: 1/2"=1"	REVISION: A	