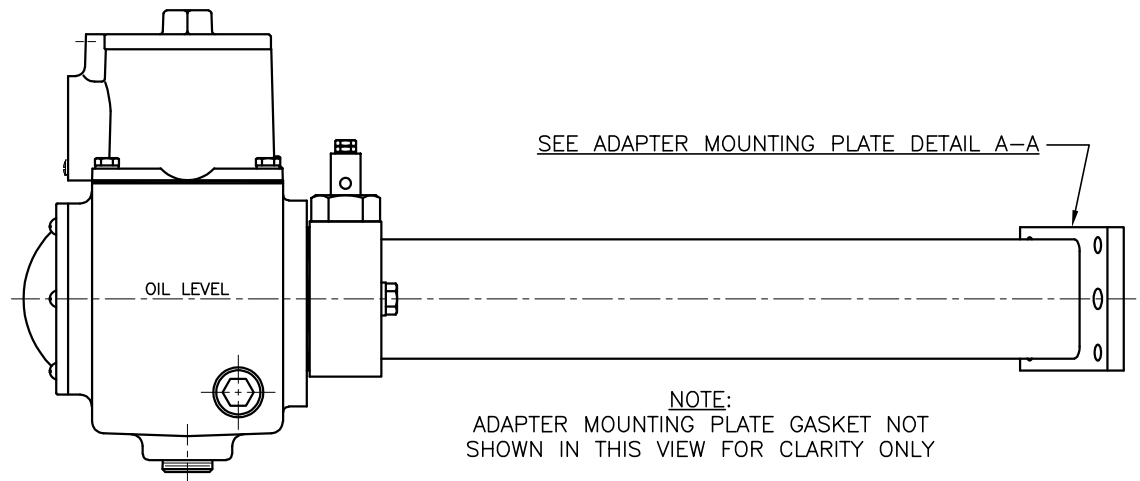
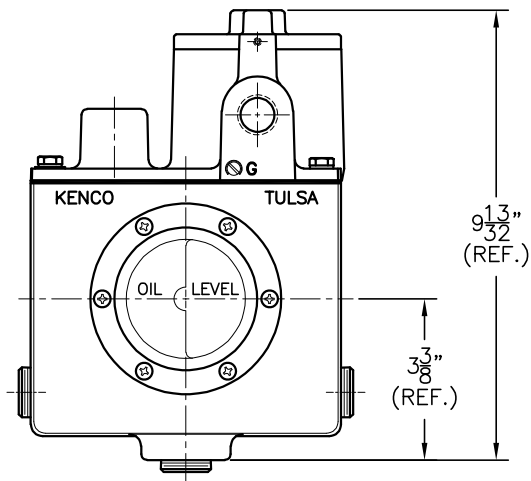


ADAPTER MOUNTING PLATE DETAIL A-A

DIMENSIONAL NOTES:
 DRAWING REFLECTS KLCE, KHL, KSHL AND KSLL TYPE CONTROLLERS. FOR DETAILED DIMENSIONS OF THESE AND OTHER CONTROLLERS AND SWITCHES, REFER TO OUTLINE DRAWING FOR SPECIFIC UNIT DESIRED.

PART SUPPLIED BUT NOT SHOWN:
 (1) 50-KFS FIRE SAFE VALVE
NOTE: NOT SUPPLIED IF ORDERED WITH "FSN50" OPTION.



NOTE:
 ADAPTER MOUNTING PLATE GASKET NOT SHOWN IN THIS VIEW FOR CLARITY ONLY

DIMENSIONS ARE FOR REFERENCE PURPOSES ONLY AND ARE SUBJECT TO CHANGE AT ANY TIME WITHOUT NOTICE. INFORMATION IS PROPRIETARY TO KENCO ENGINEERING CO.

**FOR ARIEL CORPORATION COMPRESSORS:
 KBU (2/4/6 CYLINDER) AND KBZ (2/4/6 CYLINDER)**

REV.	DATE	BY	CHKD.	ECN	EXPLANATION:	KENCO ENGINEERING COMPANY TULSA, OKLAHOMA
A	08-09-19	RDM	BRC	N/A	REMOVED ITEM NUMBERS FROM BOM FOR PARTS SUPPLIED BUT NOT SHOWN	
						DATE: 03-22-16 SHEET: 1 OF 2 DRAWING NUMBER
						DRN. BY: RDM CHKD. BY: KLM C-75700
						SCALE: 1/2"=1" REVISION: A