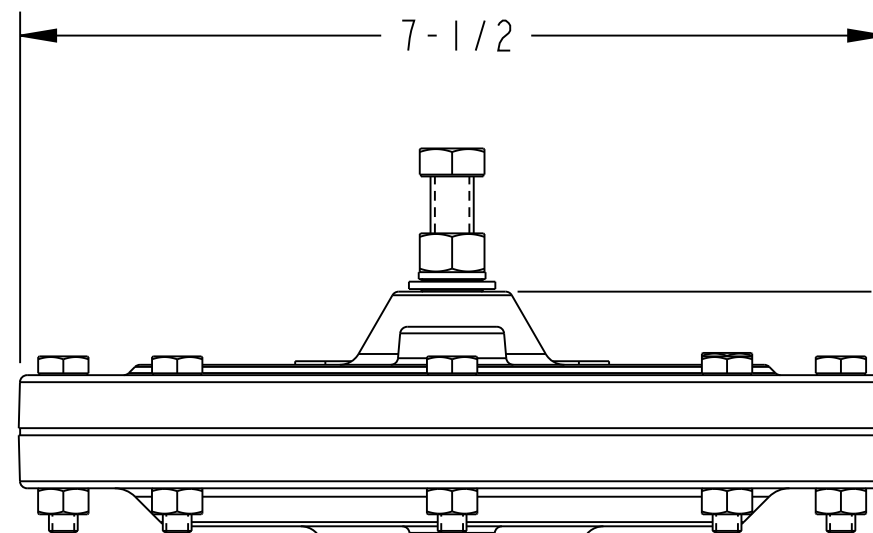
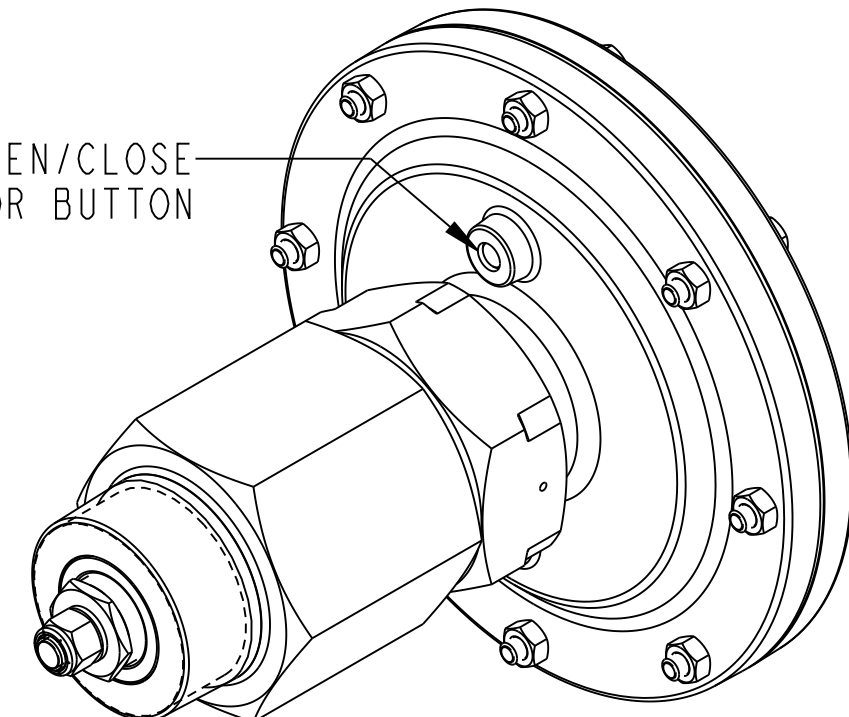


1/8"-27 NPT  
PRESSURE INLET PORT



7-1/2

OPEN/CLOSE  
INDICATOR BUTTON



VENT PLUG  
CONNECTION UNION

8.86

KDV-P20-2-1

DRAIN  
1"-11 1/2 NPT

3.64


PROCESS CONNECTION  
2"-11 1/2 NPT

2.02

PRESSURE RATING: 2000 PSI  
 MAXIMUM VALVE RELEASE PRESSURE: 70 PSI  
 OPERATING TEMPERATURE: -30 TO 250°F  
 INTERNAL WETTED PARTS: 303 STAINLESS STEEL  
 TRIM PLUG SEAL: HIGH PERFORMANCE POLYURETHANE  
 BODY: ELECTROLESS NICKEL PLATED CARBON STEEL

C	1/10/20	BRC	UPDATED TO REFLECT THE ADDITION OF THE ID TAG
	N/A	KLM	SHOWN ON THIS SHEET.
B	7/29/08	BRC	UPDATED TO REFLECT CHANGE IN TRIM SHAFT FROM Ø3/8" TO Ø7/16".
	N/A	PMM	
REV.	DATE	DRN.	DESCRIPTION
	ECN	CHKD.	
<b>PROPRIETARY:</b> THIS DRAWING AND THE INFORMATION CONTAINED HEREIN IS PROPRIETARY TO KENCO ENGINEERING CO. AND SHALL NOT BE REPRODUCED, COPIED, OR DISCLOSED IN WHOLE OR IN PART, OR USED FOR MANUFACTURE OR FOR ANY OTHER PURPOSE WITHOUT THE WRITTEN PERMISSION OF KENCO ENGINEERING.			

DIM'S IN INCHES	
TOLERANCES UNLESS OTHERWISE SPECIFIED.	
ANGULAR	±1/2°
FRACTIONAL	±1/64"
(X.X )	±0.015"
(X.XX )	±0.010"
(X.XXX )	±0.005"
MACH FILLET RAD.	.031"
125 MAX. FINISH, ALL MACHINED SURFACES.	

 KENCO ENGINEERING Tulsa, Oklahoma USA	MATERIAL:	SEE B/M
	RELEASE LEVEL:	RELEASED
DRAWING CREATED IN PRO/ENGINEER		
TITLE: VALVE, DUMP, KDV-P20-2-1		
DRN. BY: BRC	SCALE: 1.000	DRAWING NUMBER 52237
CHKD. BY: PMM	REVISION: C	
DATE: 03-07-08	SHEET 1 OF 3	