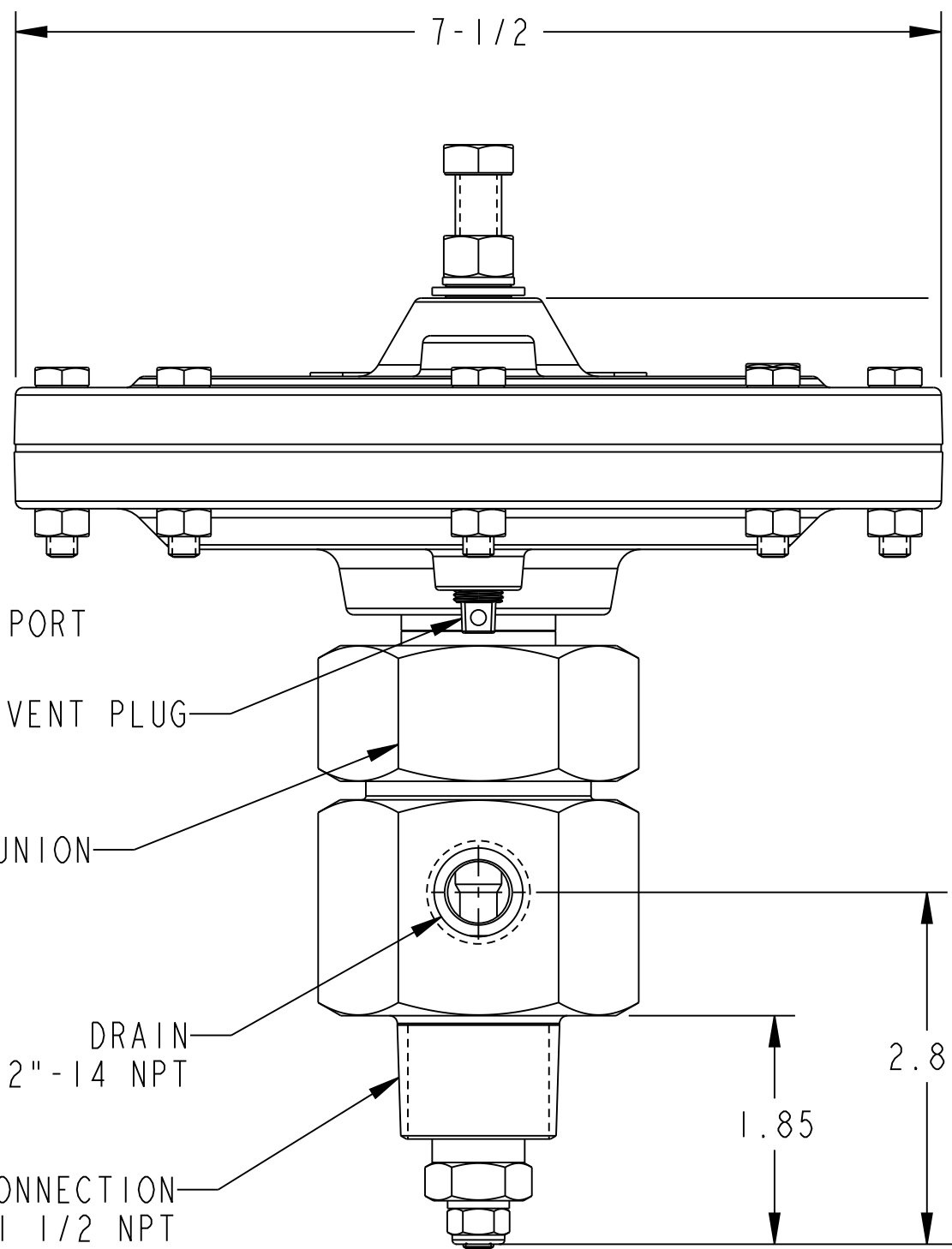


1/8"-27 NPT  
PRESSURE INLET PORT



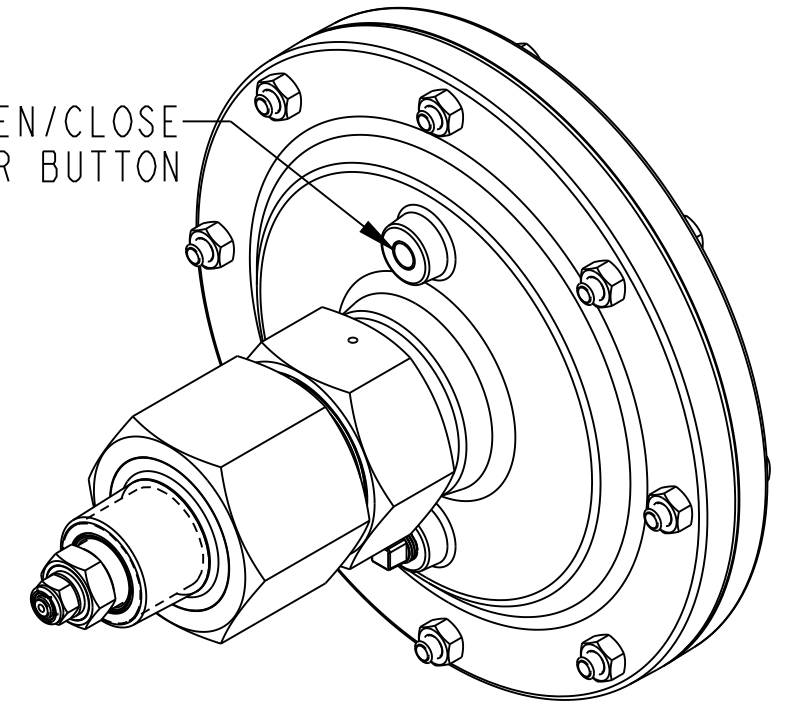
VENT PLUG

CONNECTION UNION

DRAIN  
1/2"-14 NPT

PROCESS CONNECTION  
1"-11 1/2 NPT

OPEN/CLOSE  
INDICATOR BUTTON



KDV-P18-1-05

PRESSURE RATING: 1800 PSI  
 MAXIMUM VALVE RELEASE PRESSURE: 45 PSI  
 OPERATING TEMPERATURE: -30 TO 250°F  
 INTERNAL WETTED PARTS: 303 STAINLESS STEEL  
 TRIM PLUG SEAL: HIGH PERFORMANCE POLYURETHANE  
 BODY: ELECTROLESS NICKEL PLATED CARBON STEEL

B	1/08/20	BRC	ADDED NAMEPLATE, ITEM 31
	N/A	KLM	
A	2/27/08	BRC	RELEASED
	N/A	PMM	
REV.	DATE	DRN.	DESCRIPTION
	ECN	CHKD.	

**PROPRIETARY:** THIS DRAWING AND THE INFORMATION CONTAINED HEREIN IS PROPRIETARY TO KENCO ENGINEERING CO. AND SHALL NOT BE REPRODUCED, COPIED, OR DISCLOSED IN WHOLE OR IN PART, OR USED FOR MANUFACTURE OR FOR ANY OTHER PURPOSE WITHOUT THE WRITTEN PERMISSION OF KENCO ENGINEERING.

DIM'S IN INCHES	
TOLERANCES UNLESS OTHERWISE SPECIFIED.	
ANGULAR	±1/2°
FRACTIONAL	±1/64"
(X.X )	±0.015"
(X.XX )	±0.010"
(X.XXX )	±0.005"
MACH FILLET RAD: .031"	
125 MAX. FINISH, ALL MACHINED SURFACES.	

<b>KENCO ENGINEERING</b> Tulsa, Oklahoma USA		MATERIAL:	SEE B/M
TITLE:		RELEASE LEVEL:	RELEASED
VALVE, DUMP KDV-P18-1-05		DRAWING CREATED IN PRO/ENGINEER	
DRN. BY:	BRC	SCALE:	N/A
CHKD. BY:	PMM	REVISION:	B
DATE:	03-06-08	SHEET 1 OF 3	DRAWING NUMBER 51888