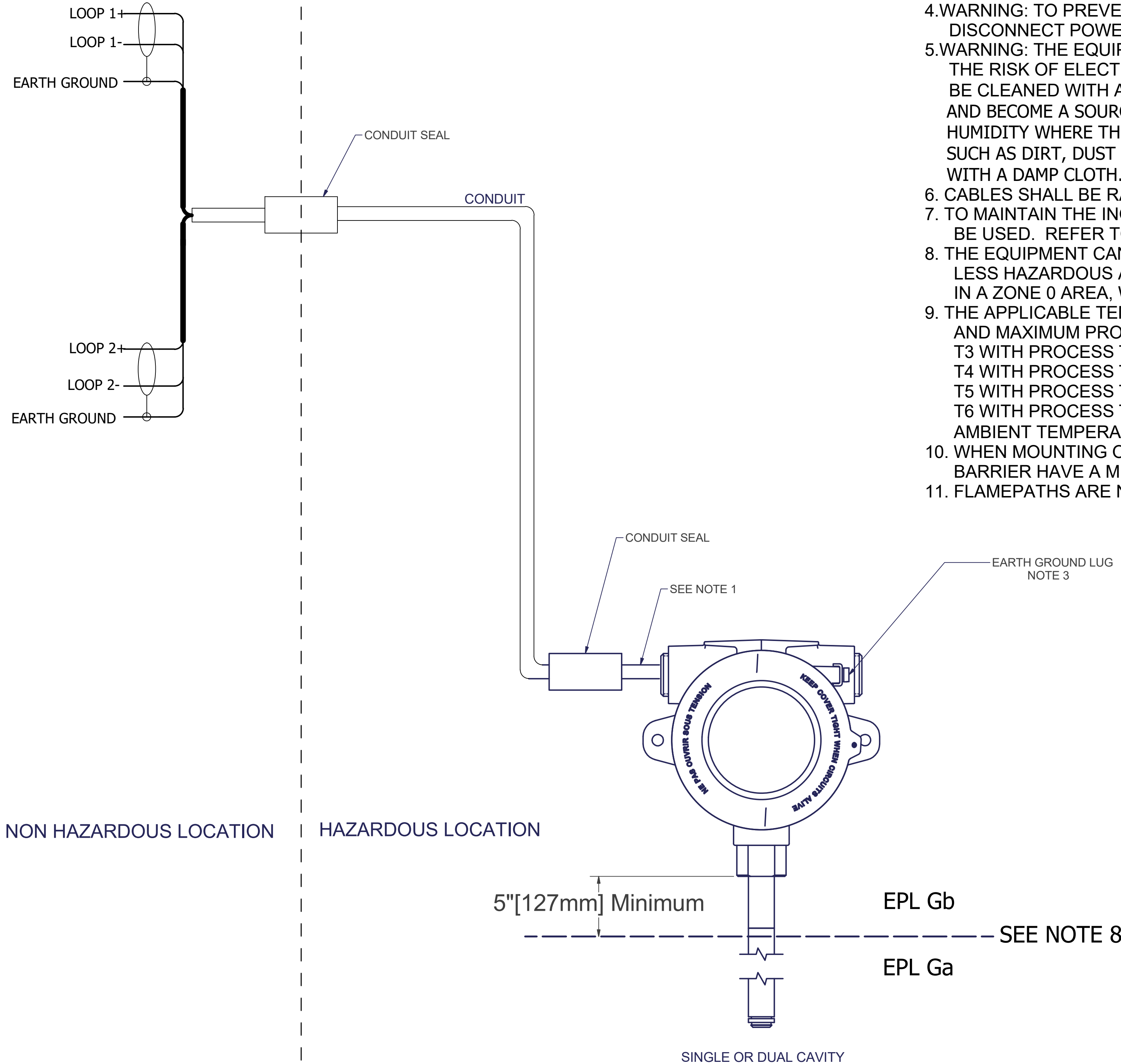


AGENCY CONTROLLED DRAWING (Canada). NO CHANGES WITHOUT PRIOR AGENCY APPROVAL



EXPLOSION PROOF
CL. I, DIV. 1, GR. BCD T6...T3
Ex db IIB+H2 T6...T3 Ga/Gb
Ta = -40°C to +71°C ; IP65

FM18CA0131X



NOTES:

1. ALL NATIONAL AND LOCAL CODES AND REGULATIONS MUST BE ADHERED TO WHEN INSTALLING THE LEVEL SENSOR IN HAZARDOUS ENVIRONMENTS. FOR ZONE INSTALLATIONS, A SEAL SHALL BE INSTALLED WITHIN 50mm OF THE ENCLOSURE. FOR DIVISION INSTALLATIONS, A SEAL SHALL BE INSTALLED WITHIN 18 INCHES OF THE ENCLOSURE.
2. DUAL-CAVITY ENCLOSURES:
CUSTOMER CONNECTIONS WILL BE MADE AT TERMINAL BLOCK ON POWER SIDE OF HOUSING (NOT TO TERMINAL BLOCK ON INTERCONNECT BOARD). SEE FIGURE 2 ON PAGE 2
3. CAUTION: FLEXIBLE GAUGES HAVE A MINIMUM BEND RADIUS OF 381mm(15")
4. WARNING: TO PREVENT IGNITION OF FLAMMABLE OR COMBUSTIBLE ATMOSPHERES, DISCONNECT POWER BEFORE SERVICING
5. WARNING: THE EQUIPMENT CONTAINS NON-METALLIC ENCLOSURE AND PROCESS PARTS, TO PREVENT THE RISK OF ELECTROSTATIC SPARKING. THE NON-METALLIC SURFACE AND PROCESS PARTS SHOULD ONLY BE CLEANED WITH A DAMP CLOTH. PAINTED SURFACE OF THE EQUIPMENT MAY STORE ELECTROSTATIC CHARGE AND BECOME A SOURCE OF IGNITION IN APPLICATIONS WITH A LOW RELATIVE HUMIDITY <~30% RELATIVE HUMIDITY WHERE THE PAINTED SURFACE IS RELATIVELY FREE OF SURFACE CONTAMINATION SUCH AS DIRT, DUST OR OIL. CLEANING OF THE PAINTED SURFACE SHOULD ONLY BE DONE WITH A DAMP CLOTH.
6. CABLES SHALL BE RATED > 5C ABOVE MAXIMUM AMBIENT TEMPERATURE.
7. TO MAINTAIN THE INGRESS PROTECTION RATING OF IP65, TEFLON TAPE (3 WRAPS) OR PIPE DOPE SHALL BE USED. REFER TO INSTALLATION INSTRUCTIONS.
8. THE EQUIPMENT CAN BE INSTALLED IN THE BOUNDARY WALL BETWEEN A ZONE 0 AREA AND THE LESS HAZARDOUS AREA, ZONE 1. IN THIS CONFIGURATION, THE PROCESS CONNECTION IS INSTALLED IN A ZONE 0 AREA, WHILE THE TRANSMITTER HOUSING IS INSTALLED IN A ZONE 1 AREA.
9. THE APPLICABLE TEMPERATURE CLASS OF THE EQUIPMENT, AMBIENT TEMPERATURE RANGE, AND MAXIMUM PROCESS TEMPERATURE OF THE EQUIPMENT IS AS FOLLOWS;
T3 WITH PROCESS TEMPERATURE RANGE OF -40°C to +150°C
T4 WITH PROCESS TEMPERATURE RANGE OF -40°C to +135°C
T5 WITH PROCESS TEMPERATURE RANGE OF -40°C to +100°C
T6 WITH PROCESS TEMPERATURE RANGE OF -40°C to +85°C
AMBIENT TEMPERATURE RANGE -40°C ≤ Ta ≤ +71°C
10. WHEN MOUNTING ON A MAGNETIC LEVEL GAUGE MAKE SURE THE ELECTRONIC HEAD AND PRESSURE BARRIER HAVE A MINIMUM SPACING OF 5 INCHES. SEE INSTALLATION MANUAL FOR DETAIL
11. FLAMEPATHS ARE NOT FOR REPAIR

NO REVISIONS SHALL BE MADE WITHOUT NOTIFICATION TO APPROVAL AGENCY(S)

REV	ECO #	DESCRIPTION	BY	DATE
A	8193	RELEASE TO PRODUCTION	MS	4/10/18
PROPRIETARY DATA		UNLESS OTHERWISE SPECIFIED		
THE INFORMATION AND DESIGN(S) DISCLOSED HEREIN ARE THE PROPERTY OF KENCO ENGINEERING AND MAY NOT BE USED, REPRODUCED OR DISCLOSED IN ANY FORM EXCEPT AS GRANTED IN WRITING BY KENCO ENGINEERING. THIS RESTRICTION EXCLUDES INFORMATION THAT IS IN THE PUBLIC DOMAIN OR WAS LEGITIMATELY IN THE PRIOR POSSESSION OF THE RECIPIENT.		TOLERANCES	TITLE (ACP) INSTALLATION DWG LP ANALOG EXPLOSION PROOF CANADA	
		0 PLACES MM ± 0.5	1 PLACE MM ± 0.1	ANGLES ± 1°
		KENCO 10001 E 54th ST, TULSA, OK 74146		
		FIRST ANGLE	SIZE DWG NO. D	REV A
		PRODUCT LINE LEVEL		DRAWN BY: MS
		SCALE: 1:1	METRIC	SHEET 1 OF 3

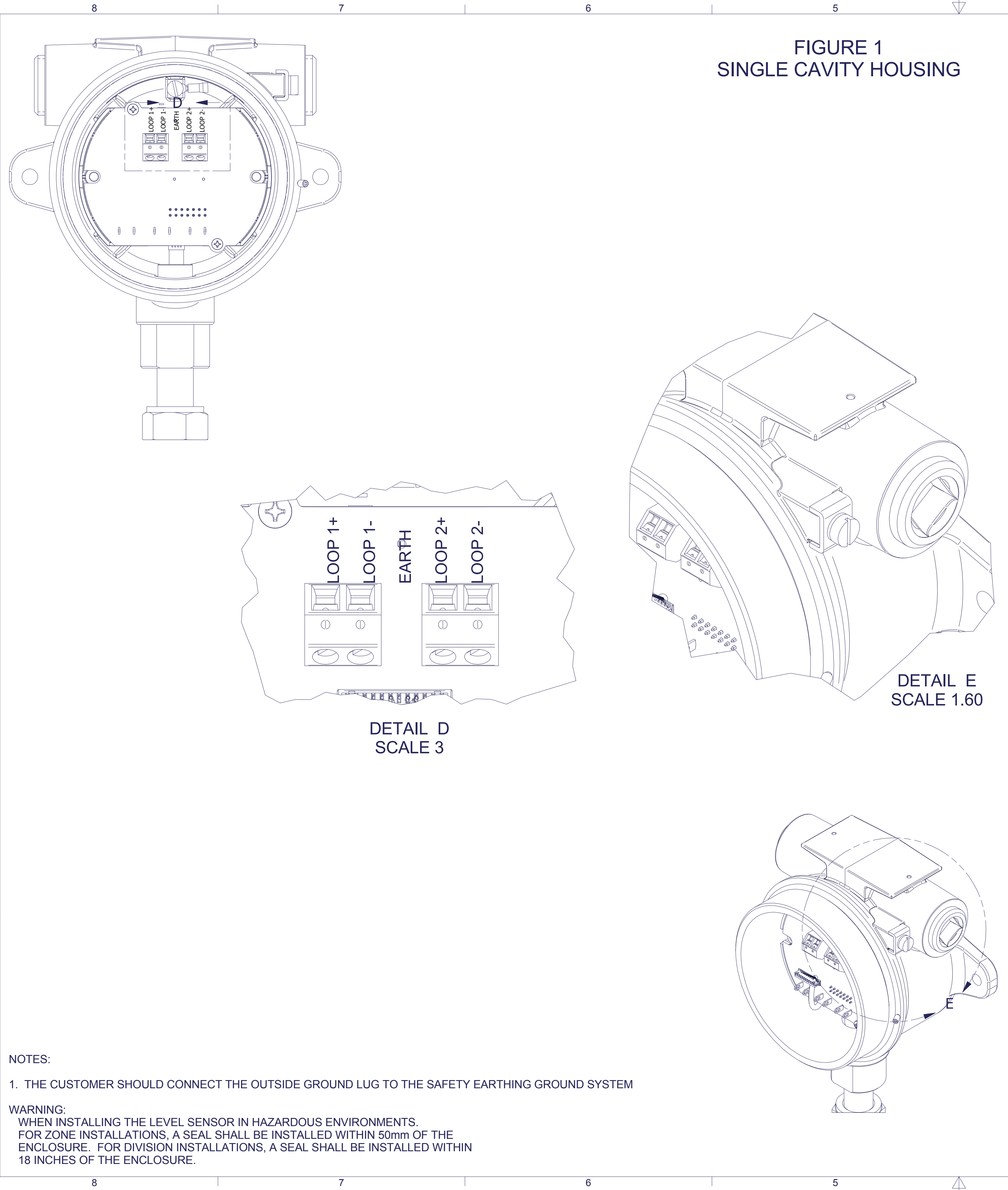


FIGURE 1
SINGLE CAVITY HOUSING

DETAIL D
SCALE 3

DETAIL E
SCALE 1.60

NOTES:
1. THE CUSTOMER SHOULD CONNECT THE OUTSIDE GROUND LUG TO THE SAFETY EARTHING GROUND SYSTEM

WARNING:
WHEN INSTALLING THE LEVEL SENSOR IN HAZARDOUS ENVIRONMENTS. FOR ZONE INSTALLATIONS, A SEAL SHALL BE INSTALLED WITHIN 50mm OF THE ENCLOSURE. FOR DIVISION INSTALLATIONS, A SEAL SHALL BE INSTALLED WITHIN 18 INCHES OF THE ENCLOSURE.

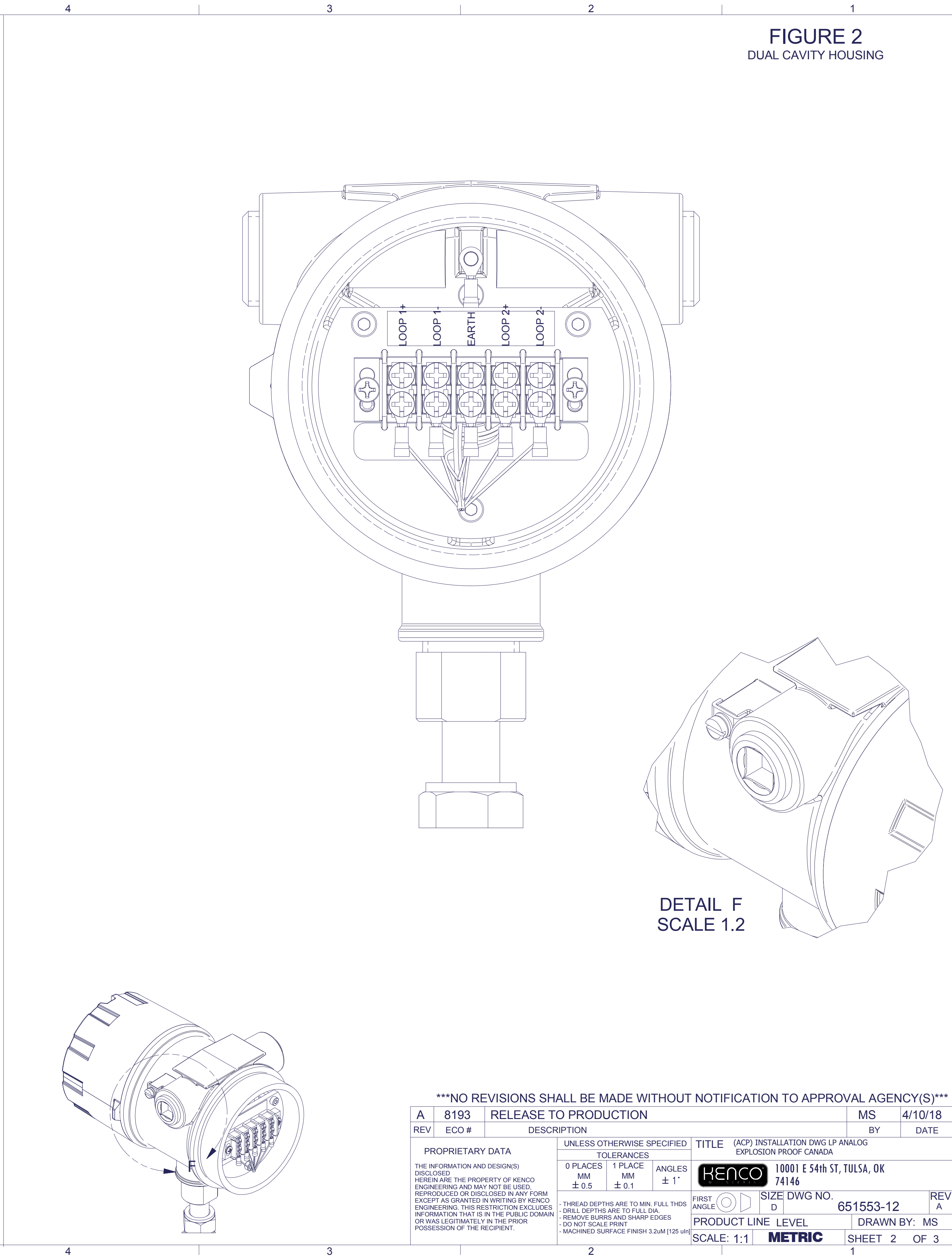


FIGURE 2
DUAL CAVITY HOUSING

DETAIL F
SCALE 1.2

NO REVISIONS SHALL BE MADE WITHOUT NOTIFICATION TO APPROVAL AGENCY(S)



A	8193	RELEASE TO PRODUCTION	MS	4/10/18
REV	ECO #	DESCRIPTION	BY	DATE
PROPRIETARY DATA		UNLESS OTHERWISE SPECIFIED	TITLE (ACP) INSTALLATION DWG LP ANALOG EXPLOSION PROOF CANADA	
THE INFORMATION AND DESIGN(S) DISCLOSED HEREIN ARE THE PROPERTY OF KENCO ENGINEERING AND MAY NOT BE USED, REPRODUCED OR DISCLOSED IN ANY FORM EXCEPT AS GRANTED IN WRITING BY KENCO ENGINEERING. THIS RESTRICTION EXCLUDES INFORMATION THAT IS IN THE PUBLIC DOMAIN OR WAS LEGITIMATELY IN THE PRIOR POSSESSION OF THE RECIPIENT.		TOLERANCES	KENCO 10001 E 54th ST, TULSA, OK 74146	
		0 PLACES	1 PLACE	ANGLES
		MM	MM	± 1°
		± 0.5	± 0.1	
		FIRST ANGLE		
		SIZE DWG NO. 651553-12		
		DRAWN BY: MS		
		SCALE: 1:1 METRIC SHEET 2 OF 3		

NOTES:

1. La réglementation doit être respectée suivant les codes locaux et nationaux
LORS D'INSTALLATION DU CAPTEUR DE NIVEAU DANS DES ENVIRONNEMENTS DANGEREUX.
POUR INSTALLATIONS DE ZONE, UN SORTIE EST INSTALLÉ DANS LES 50 mm DE L'ENCEINTE.
POUR INSTALLATIONS DE DIVISION ALE SORTIE EST INSTALLÉ DANS LES 18 POUCES DE L'ENCEINTE
2. ENCEINTES à cavité double : Les raccordements clients, seront effectués au bornier d'alimentation sur le côté du LOGEMENT boîtier (pas au bornier carte d'interconnexion)
3. ATTENTION: LES INSTRUMENTS FLEXIBLES AVEC UN RADIODE MINIMUM DE 381mm (15 ")
4. ATTENTION: Pour éviter l'inflammation d'atmosphères inflammables ou combustibles,
DÉBRANCHEZ L'ALIMENTATION AVANT D'INTERVENIR
5. AVERTISSEMENT: L'ÉQUIPEMENT CONTENUE DES PIÈCES ET PROCÉDÉS NON-METALLIQUES POUR PRÉVENIR
LE RISQUE D'ÉCLAIRAGE ÉLECTROSTATIQUE. LA SURFACE ET LES PIÈCES DE PROCÉDURE NON MÉTALLIQUES DOIVENT SEULEMENT
EFFECTEZ UN PANNEAU DE PLAISIR. LA SURFACE PEINTÉE DE L'ÉQUIPEMENT PEUT CONSERVER LE CHARGE ÉLECTROSTATIQUE
ET DEVENIR UNE SOURCE D'ALLUMAGE DANS DES APPLICATIONS AVEC UNE HUMIDITÉ BASSE RELATIVE <~ 30% RELATIVE
HUMIDITE OÙ LA SURFACE PEINTURE EST RELATIVEMENT LIBRE DE CONTAMINATION DE SURFACE
TELS QUE LA VIANDE, LA POUSSIÈRE OU L'HUILE. LE NETTOYAGE DE LA SURFACE PEINTURE DOIT ÊTRE FAIT
AVEC UN PANNEAU DE PLAISIR.
6. CABLES doit être évalué> 5C DESSUS MAXIMUM TEMPERATURE AMBIANTE.
7. POUR MAINTENIR LA NOTATION DE PROTECTION DE INGRESS IP65, du ruban téflon (3 BANDES) ou PIPE DOPE DEVRA ÊTRE UTILISÉ. CONSULTER LES INSTRUCTIONS D'INSTALLATION.
8. L'ÉQUIPEMENT PEUT ÊTRE INSTALLÉ DANS LE MUR DE LIMITE ENTRE UNE ZONE 0 ET LA
ZONE MOINS DANGEREUSE, ZONE 1. DANS CETTE CONFIGURATION, LA CONNEXION DU PROCESSUS EST INSTALLEE
DANS UNE ZONE 0, LORSQUE LE BOITIER DE L'EMETTEUR EST INSTALLE DANS UNE ZONE DE LA ZONE 1.
9. LA TEMPERATURE CLASSE APPLICABLE DE L'ÉQUIPEMENT , TEMPERATURE AMBIANTE RANGE,
ET MAXIMUM PROCESSUS TEMPERATURE DE L'APPAREIL EST CE QUI SUIIT ;
T3 WITH PROCESS TEMPERATURE RANGE OF -40°C to +150°C
T4 WITH PROCESS TEMPERATURE RANGE OF -40°C to +135°C
T5 WITH PROCESS TEMPERATURE RANGE OF -40°C to +100°C
T6 WITH PROCESS TEMPERATURE RANGE OF -40°C to +85°C
AMBIENT TEMPERATURE RANGE -40°C≤Ta≤+71°C
- 10.LORS DU MONTAGE SUR UNE JAUGE DE NIVEAU MAGNÉTIQUE, ASSUREZ-VOUS QUE LA TÊTE ÉLECTRONIQUE ET LA PRESSION
BARRIÈRE A UN ESPACEMENT MINIMUM DE 5 POUCES. VOIR LE MANUEL D'INSTALLATION POUR DETAIL
- 11.CHEMIN DE FLAMME NE SONT PAS À RÉPARER

NO REVISIONS SHALL BE MADE WITHOUT NOTIFICATION TO APPROVAL AGENCY(S)

REV	ECO #	DESCRIPTION	BY	DATE
A	8193	RELEASE TO PRODUCTION	MS	4/10/18

<small>PROPRIETARY DATA</small> <small>THE INFORMATION AND DESIGN(S) DISCLOSED HEREIN ARE THE PROPERTY OF KENCO ENGINEERING AND MAY NOT BE USED, REPRODUCED OR DISCLOSED IN ANY FORM EXCEPT AS GRANTED IN WRITING BY KENCO ENGINEERING. THIS RESTRICTION EXCLUDES INFORMATION THAT IS IN THE PUBLIC DOMAIN OR WAS LEGITIMATELY IN THE PRIOR POSSESSION OF THE RECIPIENT.</small>	<small>UNLESS OTHERWISE SPECIFIED</small> <small>TOLERANCES</small>			<small>TITLE (ACP) INSTALLATION DWG LP ANALOG EXPLOSION PROOF CANADA</small>	
	<small>0 PLACES</small> MM ± 0.5	<small>1 PLACE</small> MM ± 0.1	<small>ANGLES</small> ± 1°	 10001 E 54th ST, TULSA, OK 74146	
<small>THREAD DEPTHS ARE TO MIN. FULL THDS DRILL DEPTHS ARE TO FULL DIA. REMOVE BURRS AND SHARP EDGES DO NOT SCALE PRINT MACHINED SURFACE FINISH 3.2µM [125 µin]</small>			<small>FIRST ANGLE</small> 	<small>SIZE DWG NO.</small> D 651553-12	<small>REV</small> A
<small>PRODUCT LINE LEVEL</small>			<small>DRAWN BY: MS</small>		
<small>SCALE: 1:1</small>			<small>METRIC</small>		
			<small>SHEET 3 OF 3</small>		