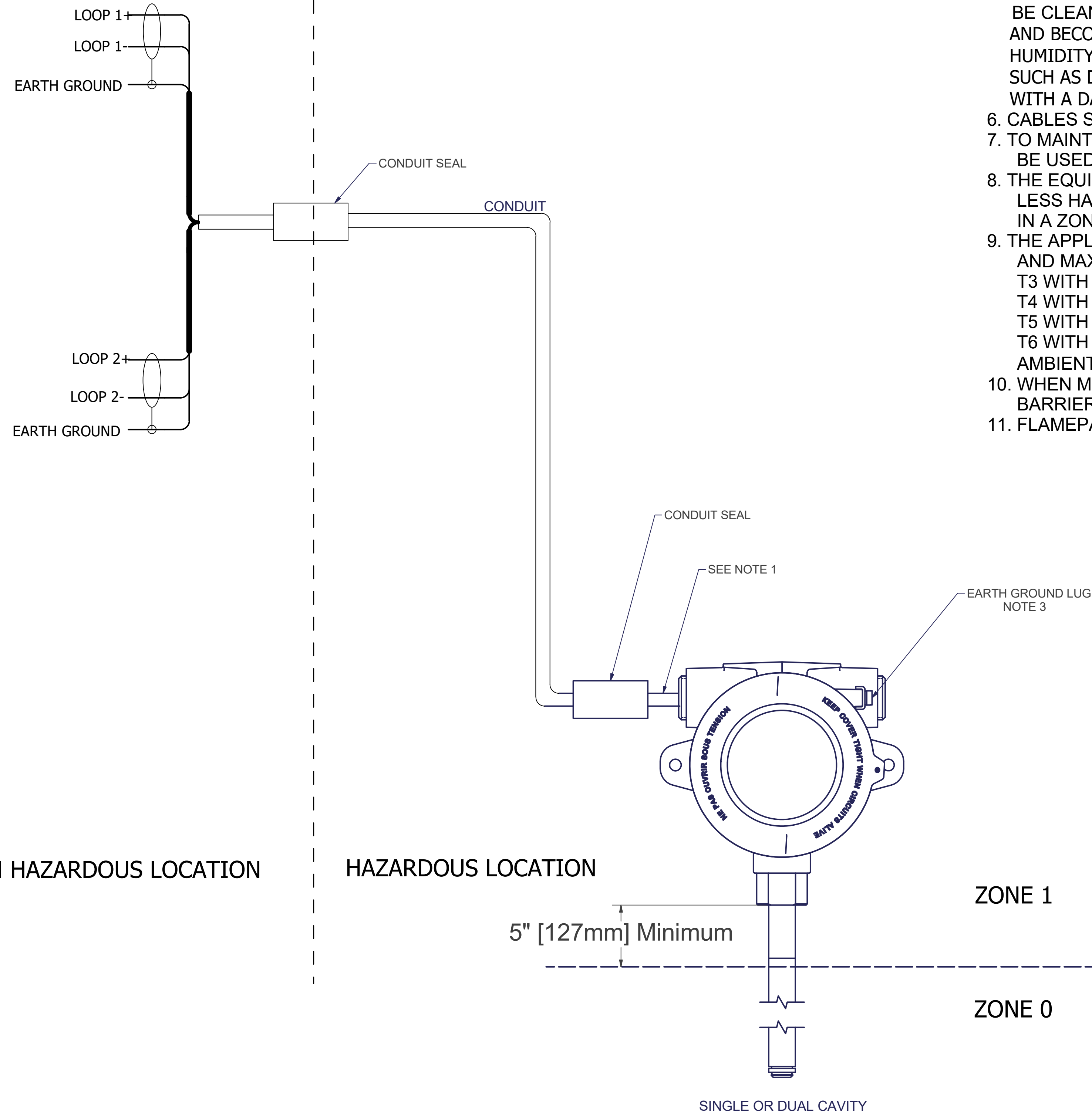


AGENCY CONTROLLED DRAWING (US). NO CHANGES WITHOUT PRIOR AGENCY APPROVAL



EXPLOSION PROOF
 CL. I, DIV. 1, GR. ABCD T6...T3
 CL. I, DIV. 1, GR. BCD T6...T3
 CL. 1, ZN. 0/1, AEx db IIB+H2 T6...T3 Ga/Gb
 Ta = -40°C to +71°C ; IP65

FM US- FM18US0274X



NOTES:

1. ALL NATIONAL AND LOCAL CODES AND REGULATIONS MUST BE ADHERED TO WHEN INSTALLING THE LEVEL SENSOR IN HAZARDOUS ENVIRONMENTS. FOR ZONE INSTALLATIONS, A SEAL SHALL BE INSTALLED WITHIN 50mm OF THE ENCLOSURE. FOR DIVISION INSTALLATIONS, A SEAL SHALL BE INSTALLED WITHIN 18 INCHES OF THE ENCLOSURE.
2. DUAL-CAVITY ENCLOSURES: CUSTOMER CONNECTIONS WILL BE MADE AT TERMINAL BLOCK ON POWER SIDE OF HOUSING (NOT TO TERMINAL BLOCK ON INTERCONNECT BOARD). SEE FIGURE 2 ON PAGE 2
3. CAUTION: FLEXIBLE GAUGES HAVE A MINIMUM BEND RADIUS OF 381mm(15")
4. WARNING: TO PREVENT IGNITION OF FLAMMABLE OR COMBUSTIBLE ATMOSPHERES, DISCONNECT POWER BEFORE SERVICING
5. WARNING: THE EQUIPMENT CONTAINS NON-METALLIC ENCLOSURE AND PROCESS PARTS, TO PREVENT THE RISK OF ELECTROSTATIC SPARKING. THE NON-METALLIC SURFACE AND PROCESS PARTS SHOULD ONLY BE CLEANED WITH A DAMP CLOTH. PAINTED SURFACE OF THE EQUIPMENT MAY STORE ELECTROSTATIC CHARGE AND BECOME A SOURCE OF IGNITION IN APPLICATIONS WITH A LOW RELATIVE HUMIDITY <~30% RELATIVE HUMIDITY WHERE THE PAINTED SURFACE IS RELATIVELY FREE OF SURFACE CONTAMINATION SUCH AS DIRT, DUST OR OIL. CLEANING OF THE PAINTED SURFACE SHOULD ONLY BE DONE WITH A DAMP CLOTH.
6. CABLES SHALL BE RATED > 5C ABOVE MAXIMUM AMBIENT TEMPERATURE.
7. TO MAINTAIN THE INGRESS PROTECTION RATING OF IP65, TEFLON TAPE (3 WRAPS) OR PIPE DOPE SHALL BE USED. REFER TO INSTALLATION INSTRUCTIONS.
8. THE EQUIPMENT CAN BE INSTALLED IN THE BOUNDARY WALL BETWEEN A ZONE 0 AREA AND THE LESS HAZARDOUS AREA, ZONE 1. IN THIS CONFIGURATION, THE PROCESS CONNECTION IS INSTALLED IN A ZONE 0 AREA, WHILE THE TRANSMITTER HOUSING IS INSTALLED IN A ZONE 1 AREA.
9. THE APPLICABLE TEMPERATURE CLASS OF THE EQUIPMENT, AMBIENT TEMPERATURE RANGE, AND MAXIMUM PROCESS TEMPERATURE OF THE EQUIPMENT IS AS FOLLOWS;
 T3 WITH PROCESS TEMPERATURE RANGE OF -40°C to +150°C
 T4 WITH PROCESS TEMPERATURE RANGE OF -40°C to +135°C
 T5 WITH PROCESS TEMPERATURE RANGE OF -40°C to +100°C
 T6 WITH PROCESS TEMPERATURE RANGE OF -40°C to +85°C
 AMBIENT TEMPERATURE RANGE -40°C ≤ Ta ≤ +71°C
10. WHEN MOUNTING ON A MAGNETIC LEVEL GAUGE MAKE SURE THE ELECTRONIC HEAD AND PRESSURE BARRIER HAVE A MINIMUM SPACING OF 5 INCHES. SEE INSTALLATION MANUAL FOR DETAIL
11. FLAMEPATHS ARE NOT FOR REPAIR

NO REVISIONS SHALL BE MADE WITHOUT NOTIFICATION TO APPROVAL AGENCY(S)

REV	ECO #	DESCRIPTION	TITLE	MS	4/10/18	
A	8193	RELEASE TO PRODUCTION	(ACP) INSTALLATION DWG LP ANALOG EXPLOSION PROOF US	BY	DATE	
PROPRIETARY DATA		TOLERANCES		SIZE DWG NO.		
THE INFORMATION AND DESIGN(S) DISCLOSED HEREIN ARE THE PROPERTY OF KENCO ENGINEERING AND MAY NOT BE USED, REPRODUCED OR DISCLOSED IN ANY FORM EXCEPT AS GRANTED IN WRITING BY KENCO ENGINEERING. THIS RESTRICTION EXCLUDES INFORMATION THAT IS IN THE PUBLIC DOMAIN OR WAS LEGITIMATELY IN THE PRIOR POSSESSION OF THE RECIPIENT.		0 PLACES	1 PLACE	ANGLES	KENCO 10001 E 54th ST, TULSA, OK	
	MM	MM	MM	± 1°	74146	
	± 0.5	± 0.1			FIRST ANGLE	651553-11
		- THREAD DEPTHS ARE TO MIN. FULL THDS		DRAWN BY: MS		
		- DRILL DEPTHS ARE TO FULL DIA.		SHEET 1 OF 2		
		- REMOVE BURRS AND SHARP EDGES		SCALE: 1:1		
		- DO NOT SCALE PRINT		METRIC		
		- MACHINED SURFACE FINISH 3.2µM [125 µin]				

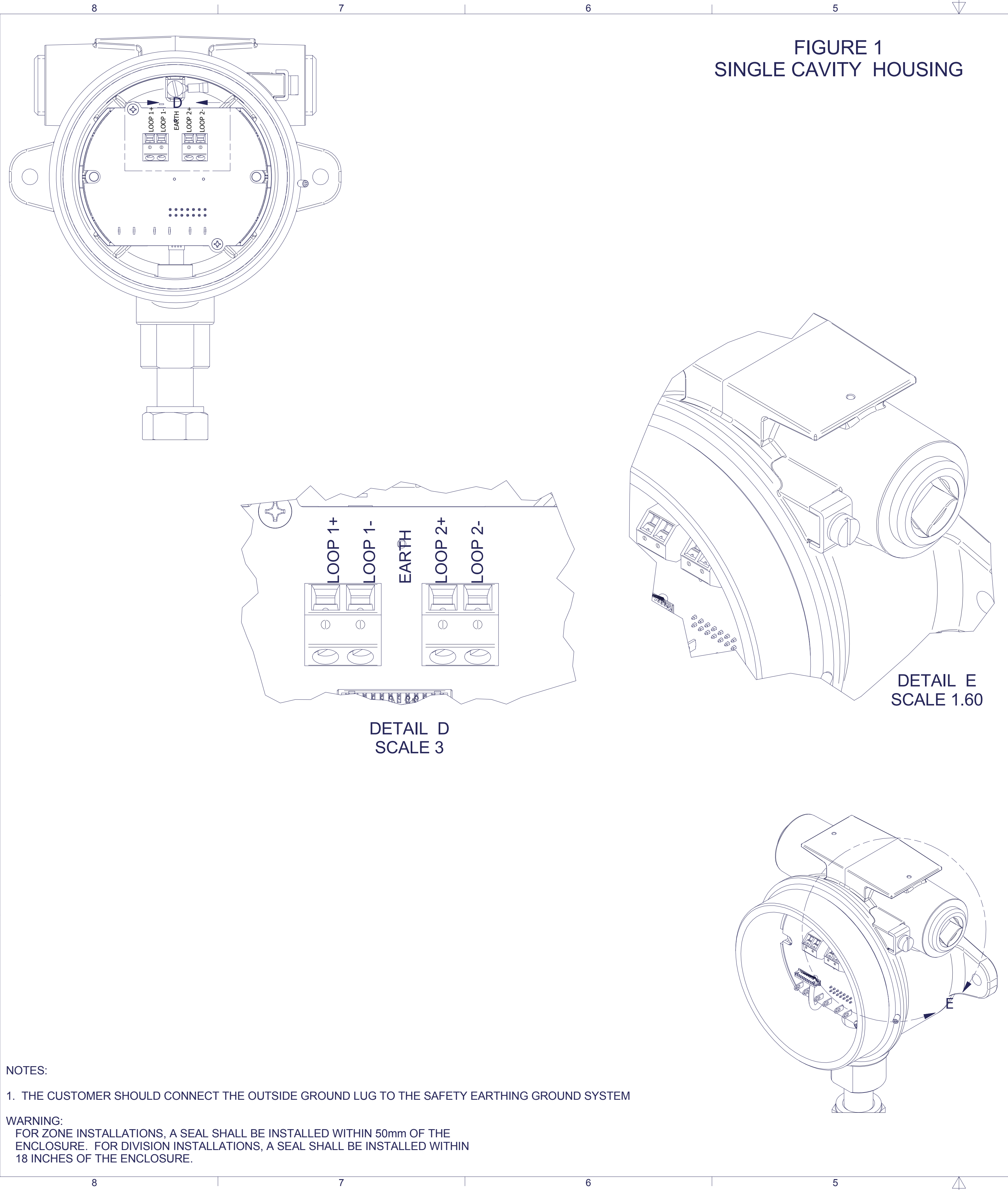


FIGURE 1
SINGLE CAVITY HOUSING

DETAIL D
SCALE 3

DETAIL E
SCALE 1.60

DETAIL F
SCALE 1.2

NOTES:
1. THE CUSTOMER SHOULD CONNECT THE OUTSIDE GROUND LUG TO THE SAFETY EARTHING GROUND SYSTEM

WARNING:
FOR ZONE INSTALLATIONS, A SEAL SHALL BE INSTALLED WITHIN 50mm OF THE ENCLOSURE. FOR DIVISION INSTALLATIONS, A SEAL SHALL BE INSTALLED WITHIN 18 INCHES OF THE ENCLOSURE.

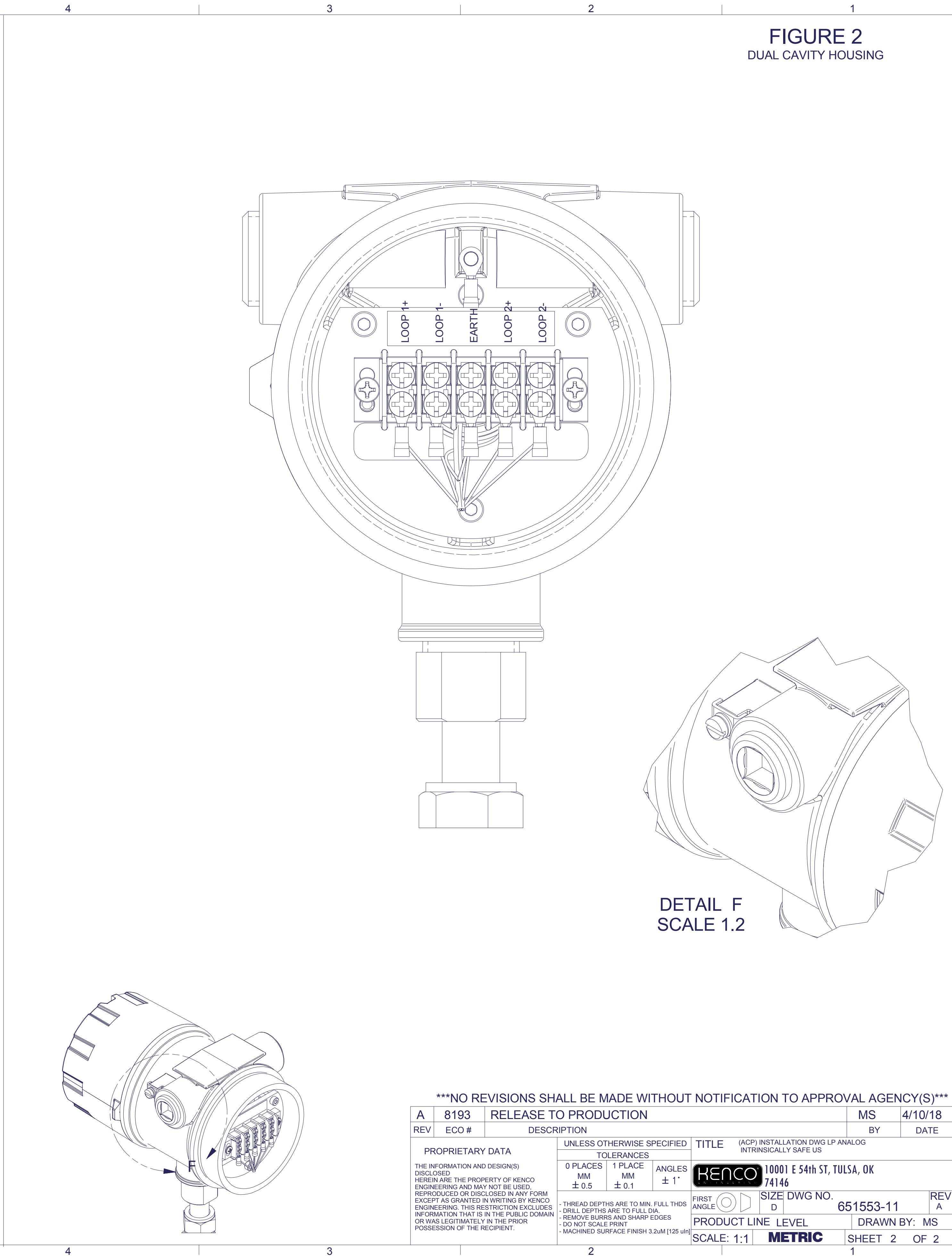


FIGURE 2
DUAL CAVITY HOUSING

NO REVISIONS SHALL BE MADE WITHOUT NOTIFICATION TO APPROVAL AGENCY(S)

A	8193	RELEASE TO PRODUCTION	MS	4/10/18
REV	ECO #	DESCRIPTION	BY	DATE

PROPRIETARY DATA THE INFORMATION AND DESIGN(S) DISCLOSED HEREIN ARE THE PROPERTY OF KENCO ENGINEERING AND MAY NOT BE USED, REPRODUCED OR DISCLOSED IN ANY FORM EXCEPT AS GRANTED IN WRITING BY KENCO ENGINEERING. THIS RESTRICTION EXCLUDES INFORMATION THAT IS IN THE PUBLIC DOMAIN OR WAS LEGITIMATELY IN THE PRIOR POSSESSION OF THE RECIPIENT.	UNLESS OTHERWISE SPECIFIED		TITLE (ACP) INSTALLATION DWG LP ANALOG INTRINSICALLY SAFE US	
	0 PLACES	1 PLACE	ANGLES	KENCO 10001 E 54th ST, TULSA, OK 74146
	MM ± 0.5	MM ± 0.1	± 1°	
- THREAD DEPTHS ARE TO MIN. FULL THDS - DRILL DEPTHS ARE TO FULL DIA. - REMOVE BURRS AND SHARP EDGES - DO NOT SCALE PRINT - MACHINED SURFACE FINISH 3.2µM (125 µin)	FIRST ANGLE	SIZE DWG NO.	651553-11	REV A
SCALE: 1:1	PRODUCT LINE LEVEL	LEVEL	DRAWN BY: MS	SHEET 2 OF 2