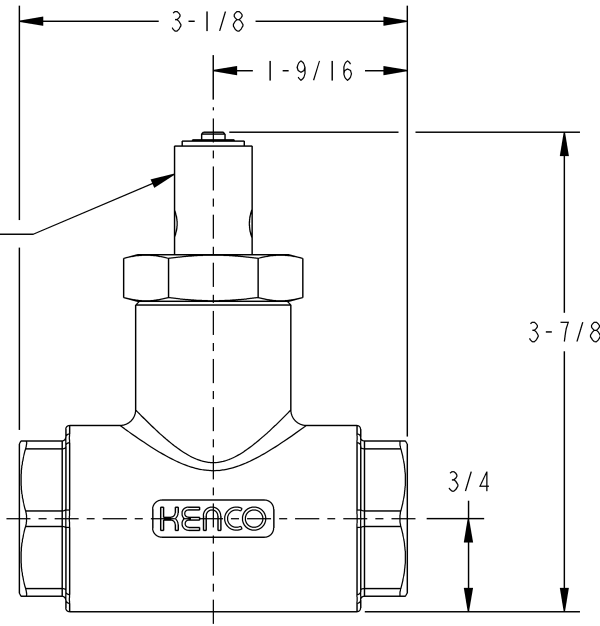
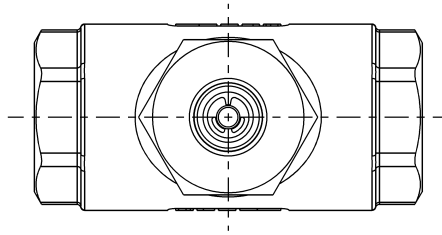
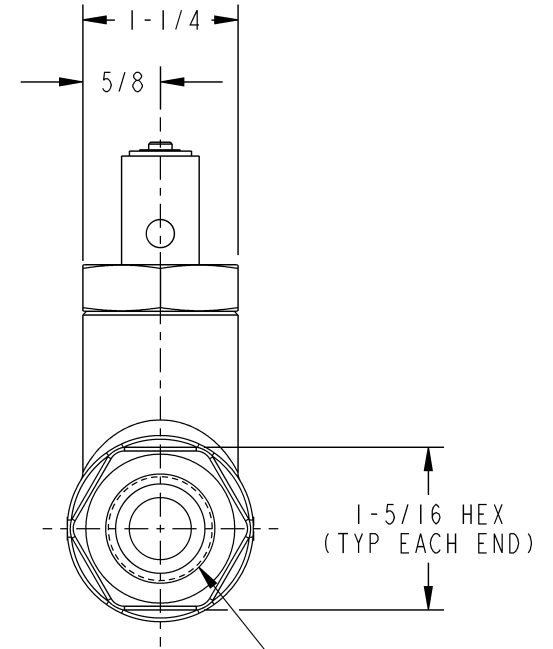


EUTECTIC FUSE ELEMENT




MODEL 50-KFS



1/2" FNPT PORT (TYP EACH END)

MATERIALS OF CONSTRUCTION:
 ALL CARBON STEEL WITH
 17-7 PH STAINLESS STEEL ACTUATOR
 SPRING AND PROPRIETARY EUTECTIC
 FUSE ELEMENT ALLOY.

B	01-07-16	KLM	ADDED MATERIALS OF CONSTRUCTION NOTES	DIM'S IN INCHES	 KENCO ENGINEERING Tulsa, Oklahoma USA	MATERIAL:	SEE B/M
	000274	KI		TOLERANCES UNLESS OTHERWISE SPECIFIED.		RELEASED	RELEASE LEVEL:
A	10-11-06	BRC	RELEASED	ANGULAR ±1/2°	TITLE:	DRAWING CREATED IN PRO/ENGINEER	
	N/A	PMM		FRACTIONAL ±1/64"	VALVE, FIRE SAFE, 0.50 NPT CS	DRN. BY:	BRC
REV.	DATE	DRN.	DESCRIPTION	(X.X) ±0.015"	SCALE:	1.000	DRAWING NUMBER
	ECN	CHKD.		(X.XXX) ±0.010"	CHKD. BY:	PMM	
PROPRIETARY: THIS DRAWING AND THE INFORMATION CONTAINED HEREIN IS PROPRIETARY TO KENCO ENGINEERING CO. AND SHALL NOT BE REPRODUCED, COPIED, OR DISCLOSED IN WHOLE OR IN PART, OR USED FOR MANUFACTURE OR FOR ANY OTHER PURPOSE WITHOUT THE WRITTEN PERMISSION OF KENCO ENGINEERING.				MACH FILLET RAD: .031"	DATE:	10-31-06	SHEET 1 OF 3
				125 MAX. FINISH ALL MACHINED SURFACES.			50501