

4400 SERIES LEVEL GAUGE INSTALLATION INSTRUCTIONS

THE KENCO MODEL 4400 SERIES LEVEL GAUGE COMES ASSEMBLED. SEE OPPOSITE SIDE OF SHEET FOR PARTS DRAWING.

STEP 1 IT WILL BE NECESSARY TO DISASSEMBLE THE MALE NPT CONNECTORS (ITEM 8) FROM THE GAUGE. THIS IS ACCOMPLISHED BY UNSCREWING THE HEX HEAD CAP SCREWS (ITEM 10).

STEP 2 ONCE THE MALE CONNECTORS HAVE BEEN REMOVED FROM THE GAUGE ASSEMBLY, APPLY THREAD SEALANT TO THE PIPE THREADS OF THE CONNECTORS AND INSTALL THEM INTO THE TANK MOUNTING CONNECTIONS. NOTE: MAKE SURE THAT CONNECTORS ARE INSTALLED WITH THE SAME INSERTION DEPTH TO ENSURE A POSITIVE SEAL BETWEEN CONNECTORS AND GAUGE FRAME ASSEMBLY END BLOCKS.

STEP 3 CAREFULLY SLIDE O-RING (ITEM 7) OVER THE MALE CONNECTORS AS SHOWN ON THE PARTS DRAWING.

STEP 4 SLIDE THE GAUGE FRAME ASSEMBLY OVER THE MALE CONNECTORS. THE TOP OF THE GAUGE IS IDENTIFIED BY THE HEX PLUG. WHEN THE GAUGE HAS BEEN POSITIONED AGAINST THE MALE CONNECTORS, MAKE CERTAIN THE O-RINGS ARE IN THE O-RING COUNTERBORES.

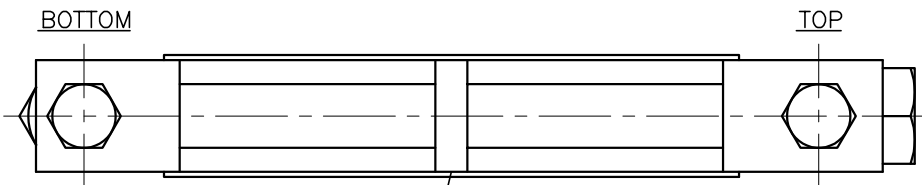
STEP 5 REINSTALL HEX HEAD CAP SCREWS (ITEM 10) AND O-RINGS (ITEM 9) WITH GAUGE POSITIONED ON THE MALE CONNECTORS. CAUTION: ON GAUGES WITH BRASS CONSTRUCTION, IT IS IMPORTANT NOT TO OVERTIGHTEN CAP SCREWS DUE TO EASE OF STRIPPING THE THREADS.



P.O. Box 470426 • Tulsa, Oklahoma 74147
Phone: 918-663-4406 • Fax.: 918-663-4480
www.kenco-eng.com • Email: info@kenco-eng.com

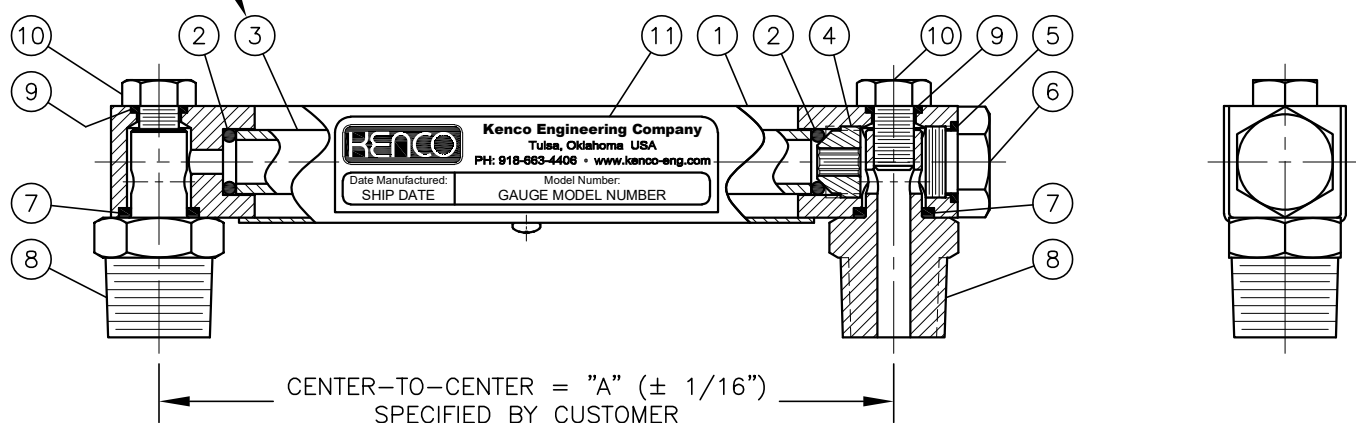
85181
(Rev. B)
[12-03-07]

MODEL 44M25 / 44M50 PARTS DRAWING



⑫⑬ — EQUALLY SPACE EVERY 36"
(INSTALL ITEM 13 USING BLUE
THREAD LOCKING COMPOUND)

IF EQUIPPED WITH A RED LINE GLASS SIGHT TUBE,
INSTALL WITH RED LINE ON BACK SIDE



DIMENSIONAL INFORMATION AND SIGHT TUBE LENGTH FORMULA:
CENTER-TO-CENTER (DIMENSION "A") TO BE SPECIFIED BY CUSTOMER
SIGHT TUBE LENGTH = "A" MINUS 1.250"

IMPORTANT NOTE:
CUSTOMER MUST SPECIFY MODEL NUMBER LOCATED ON GAUGE
IDENTIFICATION DECAL WHEN ORDERING REPLACEMENT PARTS.

BILL OF MATERIALS

ITEM	QTY.	PART NUMBER	DESCRIPTION
1	1	29521-B, SS or S6	FRAME, GAUGE (ASSEMBLY)
2	2	13109-A, B, E, K or V	SEAL, O-RING FOR SIGHT TUBE
3	1	45811	TUBE, SIGHT (1/2" O.D. H.P. GLASS WITH RED LINE TAPE)
		29522-HP or RL	TUBE, SIGHT (1/2" O.D. H.P. OR R.L. GAUGE GLASS)
4	1	29519-B or S	SEAT, PACKING FOR SIGHT TUBE O-RING SEAL
5	1	13014-A, B, E, K or V	SEAL, O-RING FOR SEAL PLUG
6	1	29518-B or S	PLUG, SEAL FOR SIGHT TUBE ACCESS PORT
7	2	13111-A, B, E, K or V	SEAL, O-RING FOR PROCESS CONNECTIONS
8	2	29516-B or S	CONNECTION, PROCESS 1/4" NPT
		29517-B or S	CONNECTION, PROCESS 1/2" NPT
9	2	13011-A, B, E, K or V	SEAL, O-RING FOR CAP SCREWS
10	2	29531	SCREW, CAP HEX HEAD 5/16"-18UNC X 1/2" LG.
11	1	50782	DECAL, IDENTIFICATION
12	AS REQ'D.	68043	RING, SIGHT TUBE CENTRALIZER
13	AS REQ'D.	90644	SCREW, MACHINE PAN HEAD 4-40UNC X 3/16" LG.