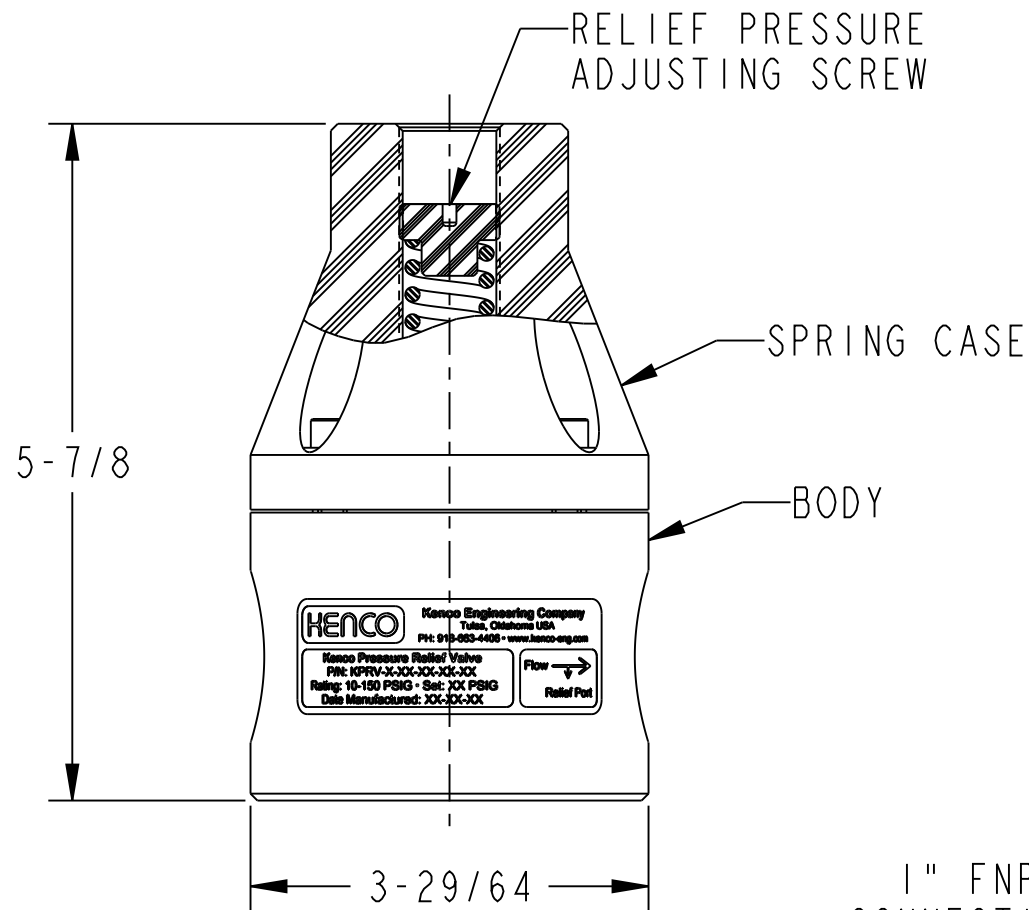
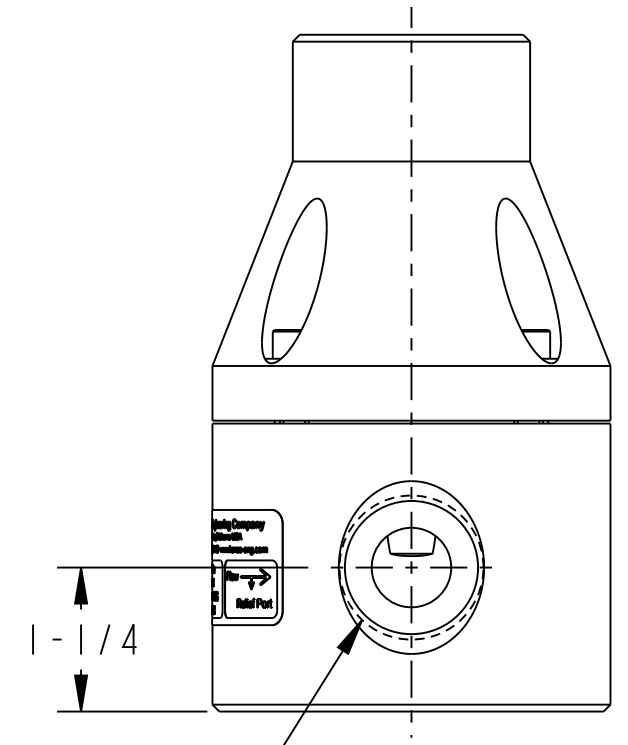


1" FNPT INLET PORT CONNECTION (STANDARD)
(1" SOCKET WELD OPTIONAL)



1" FNPT OUTLET PORT CONNECTION (STANDARD)
(1" SOCKET WELD OPTIONAL)



RELIEF PRESSURE ADJUSTMENT RANGE: 0 TO 150 PSI
RELIEF PRESSURE FACTORY SETTING: 50 PSI

WETTED MATERIALS:

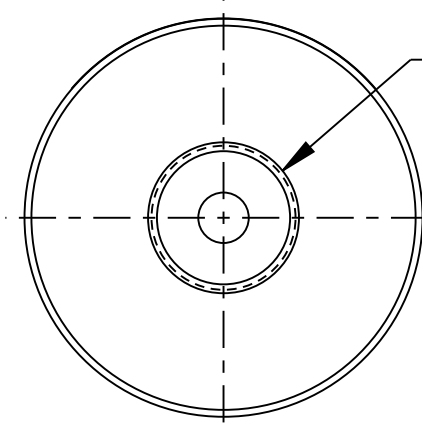
BODY: 316 STAINLESS STEEL
DIAPHRAGM: TEFLON (WETTED)/EPDM (NON-WETTED)

NON-WETTED MATERIALS:

SPRING CASE: PVC
RELIEF PRESSURE ADJUSTING SCREW: PVC
SPRING: ZINC PLATED SPRING STEEL
SCREWS & WASHERS: 18-8 STAINLESS STEEL

MODEL NUMBER:

KPRV-T-10-S6-P-TE (THREADED CONNECTIONS)
KPRV-S-10-S6-P-TE (SOCKET WELD CONNECTIONS)



1" FNPT RELIEF PORT CONNECTION (STANDARD)
(1" SOCKET WELD OPTIONAL)

| | | | | | | | |
|------|---------|-------|--|--|----------------------------------|---------------------------------|--------------|
| C | 5/20/15 | LR | REVISED DESIGN TO KENCO STANDARDS WITH NEW | DIM'S IN INCHES TOLERANCES UNLESS OTHERWISE SPECIFIED. | Tulsa, Oklahoma USA | MATERIAL: | SEE B/M |
| | N/A | BRC | TAPERED SPRING CASE, MODEL NO. SYSTEM AND TAG. | | | RELEASE LEVEL: | RELEASED |
| B | 7/13/09 | KLM | REVISED NOTES, RENUMBERED BALLOONS | ANGULAR ±1/2° FRACTIONAL ±1/64" (X.X) ±0.015" (X.XX) ±0.010" (X.XXX) ±0.005" MACH FILLET RAD: .031" 125 MAX. FINISH, ALL MACHINED SURFACES. | TITLE: VALVE, KPRV RELIEF, 1" | DRAWING CREATED IN PRO/ENGINEER | |
| | N/A | KI | | | | DRN. BY: PMM | SCALE: 0.600 |
| REV. | DATE | DRN. | DESCRIPTION | CHKD. BY: BRC | REVISION: C | | |
| | ECN | CHKD. | | DATE: 05/20/15 | SHEET 1 OF 3 | | |

PROPRIETARY: THIS DRAWING AND THE INFORMATION CONTAINED HEREIN IS PROPRIETARY TO KENCO ENGINEERING CO. AND SHALL NOT BE REPRODUCED, COPIED, OR DISCLOSED IN WHOLE OR IN PART, OR USED FOR MANUFACTURE OR FOR ANY OTHER PURPOSE WITHOUT THE WRITTEN PERMISSION OF KENCO ENGINEERING.