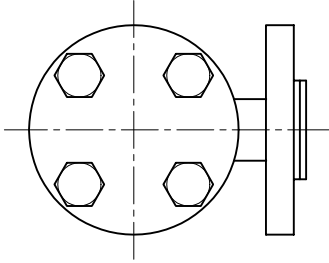
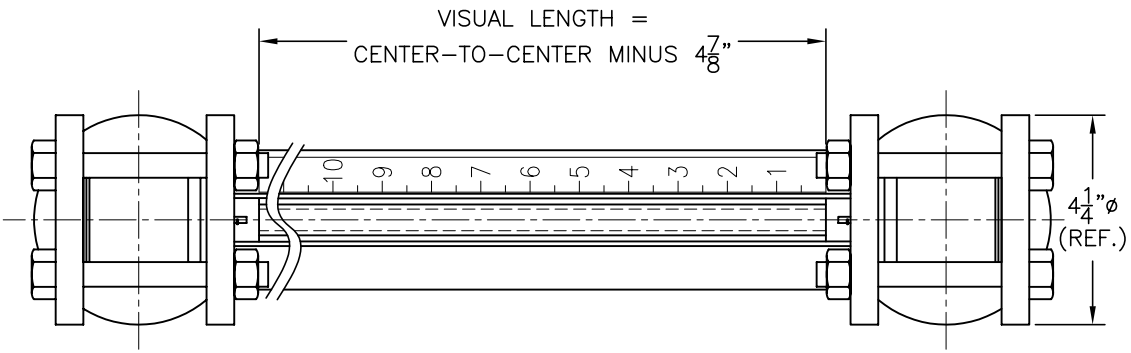
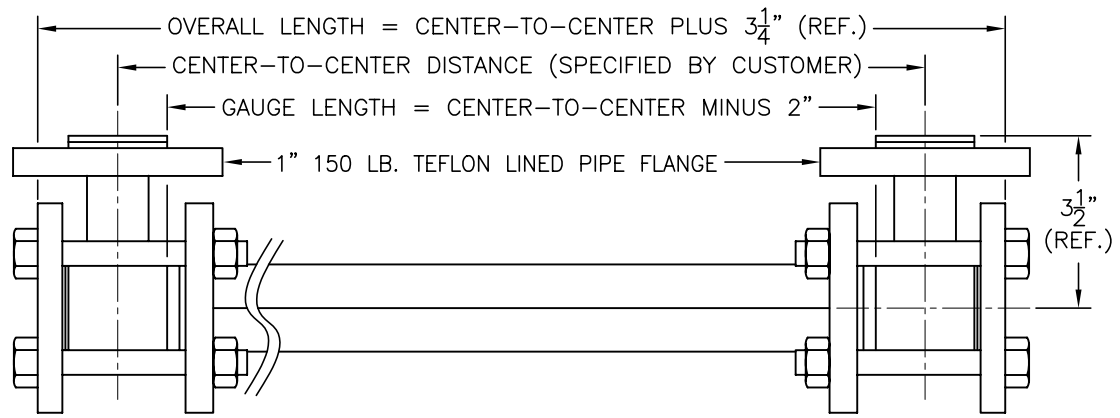


MODEL ESP-1.00-1.00-CST

MODEL ST-1.00-1.00-CST



DIMENSION ARE FOR REFERENCE PURPOSES ONLY AND ARE SUBJECT TO CHANGE AT ANY TIME WITHOUT NOTICE.

COPYRIGHT © 2003-KENCO INTERNATIONAL, INC.-ALL RIGHTS RESERVED

REV.	DATE	BY	ECN	EXPLANATION:

KENCO ENGINEERING COMPANY TULSA, OKLAHOMA			
GAUGE, LIQUID LEVEL (OUTLINE DRAWING)			
MODEL ESP-1.00-1.00-CST			
DATE: 02-03-03	SHEET: 1 OF 1	DRAWING NUMBER	
DRN. BY: DPS	CHKD. BY:	C-43699	
SCALE: NONE	REVISION:		