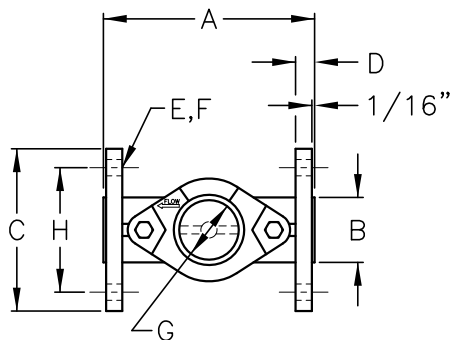
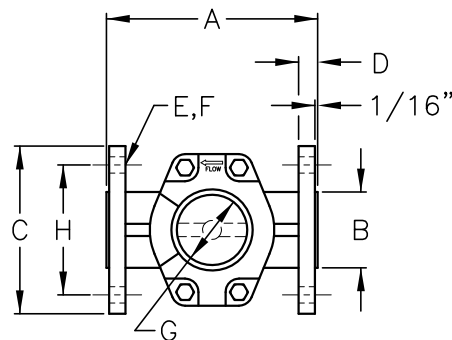


FLANGED KPJ SIGHT FLOWS



3/4" SIZE



2", 3" AND 4" SIZES

DIMENSIONS FOR FLANGED SIGHT FLOWS				
Flange Size	3/4"	2"	3"	4"
A Overall Length	4-5/8	7-7/8	9-3/8	11
B Raised Face Diameter	1-11/16	3-5/8	5	6-3/16
C Flange Diameter	3-7/8	6	7-1/2	9
D Flange Thickness	1/2	13/16	13/16	1
E Number of Bolt Holes	4	4	4	8
F Bolt Hole Diameter	5/8	3/4	3/4	3/4
G Sight Opening Diameter	1-1/2	2	3	3
H Bolt Circle Diameter	2-3/4	4-3/4	6	7-1/2
Total Weight in Pounds	5.2	15.0	31.0	42.0

NOTE: DIMENSIONS ARE FOR REFERENCE PURPOSES ONLY AND ARE SUBJECT TO CHANGE AT ANY TIME WITHOUT NOTICE.

INFORMATION IS PROPRIETARY TO KENCO ENGINEERING CO.

REV.	DATE	BY	CHKD.	ECN	EXPLANATION:	KENCO ENGINEERING COMPANY TULSA, OKLAHOMA		
						INDICATOR, SIGHT FLOW		
						DATE: 08-02-13	SHEET: 1 OF 1	DRAWING NUMBER
						DRN. BY: RDM	CHKD. BY: DM	KPJ-F
						SCALE: NONE	REVISION:	