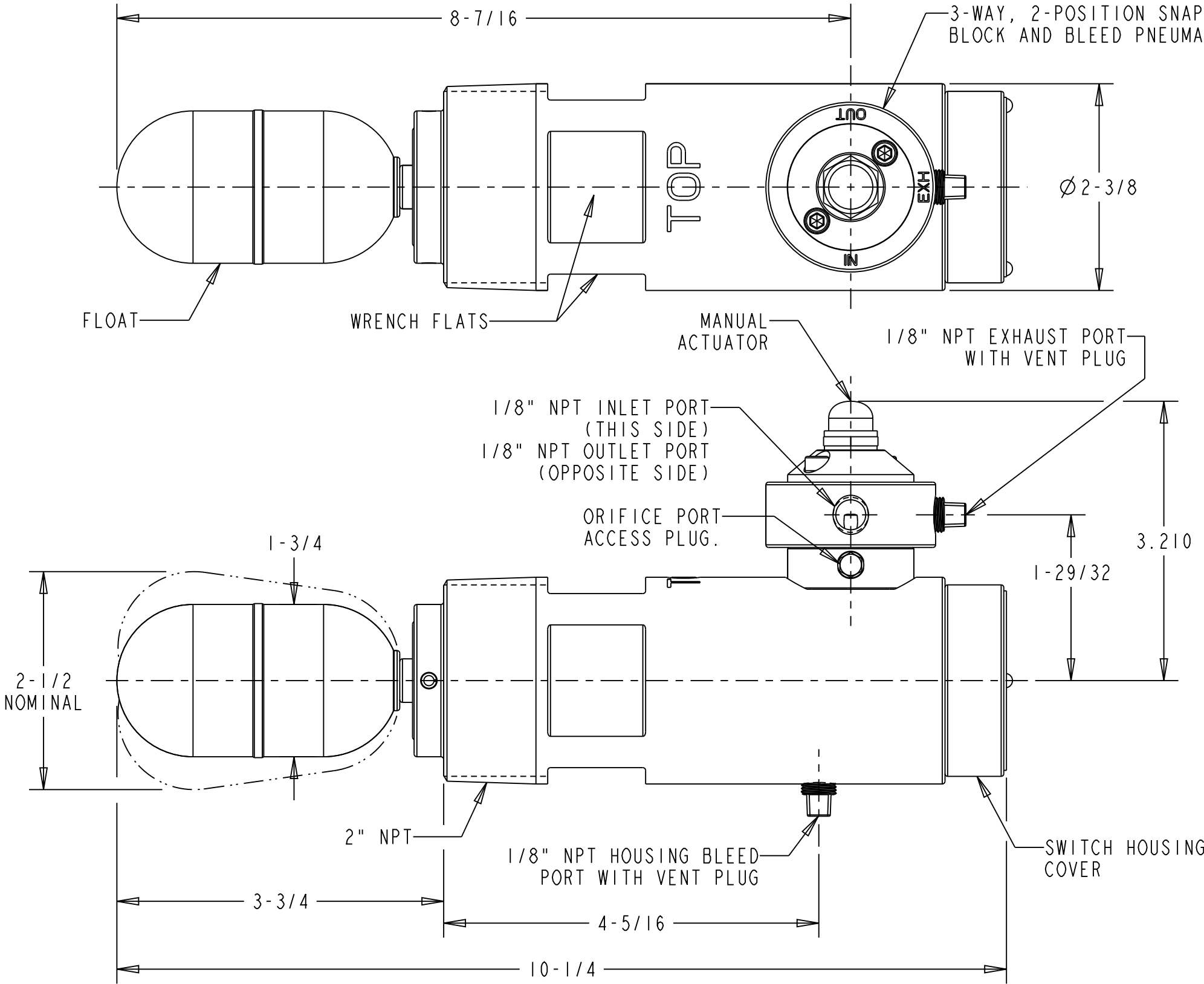


IMPORTANT: VALVE MUST BE PLUMBED WITH CLEAN (FILTERED), DRY AND REGULATED AIR OR INSTRUMENT QUALITY GAS.

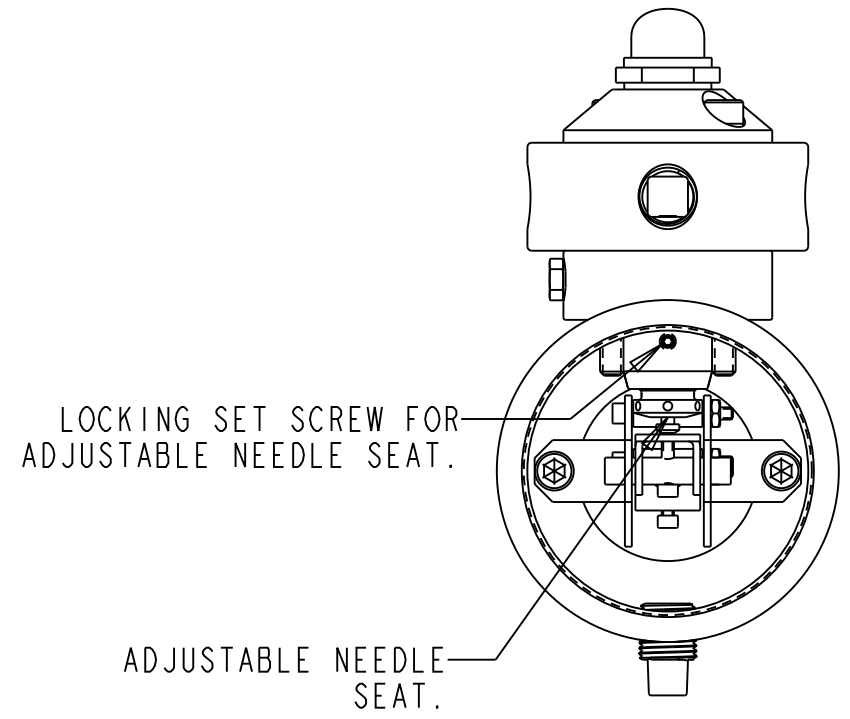


SPECIFICATIONS:

MIN. OPERATING S.G.: .53
 MAX. WORKING PRESSURE: 2000 PSI
 WETTED MATERIALS: 303/304 STAINLESS STEEL (STANDARD)
 316 STAINLESS STEEL (OPTIONAL)
 (NOTE: ADD -S6 SUFFIX TO MODEL NUMBER FOR 316 OPTION.)


VALVE OPERATING PARAMETERS:

MIN. VALVE SUPPLY PRESSURE: 30 PSI
 MAX. VALVE SUPPLY PRESSURE: 75 PSI



DIMENSIONS ARE FOR REFERENCE PURPOSES ONLY AND ARE SUBJECT TO CHANGE AT ANY TIME WITHOUT NOTICE.

MODEL NO.: KPFS-2-LR

B	11/1/11	BRC	ADDED ALLEN WRENCH, ITEM NUMBER 16 AND SCREW,	DIM'S IN INCHES TOLERANCES UNLESS OTHERWISE SPECIFIED.	 MATERIAL: SEE B/M RELEASE LEVEL: RELEASED DRAWING CREATED IN PRO/ENGINEER	
	N/A	KLM	ITEM NUMBER 15 TO SHEETS TWO AND THREE.			
A	5/25/11	BRC	UPDATED TO WORK WITH ROUND VALVE	ANGULAR ±1/2° FRACTIONAL ±1/64" (X.X) ±0.015" (X.XX) ±0.010" (X.XXX) ±0.005" MACH FILLET RAD-.031" 125 MAX. FINISH, ALL MACHINED SURFACES.	TITLE: SWITCH, FLOAT KPFS (LEVEL RISING)	
	N/A	KLM	ADDED SHEETS 1 AND 3; RELEASED			
REV.	DATE	DRN.	DESCRIPTION	DRN. BY: KLM	SCALE: 0.750	DRAWING NUMBER
	ECN	CHKD.		CHKD. BY: BRC	REVISION: B	
PROPRIETARY: THIS DRAWING AND THE INFORMATION CONTAINED HEREIN IS PROPRIETARY TO KENCO ENGINEERING CO. AND SHALL NOT BE REPRODUCED, COPIED, OR DISCLOSED IN WHOLE OR IN PART, OR USED FOR MANUFACTURE OR FOR ANY OTHER PURPOSE WITHOUT THE WRITTEN PERMISSION OF KENCO ENGINEERING.				DATE: 05-25-11	SHEET 1 OF 3	61121-LR