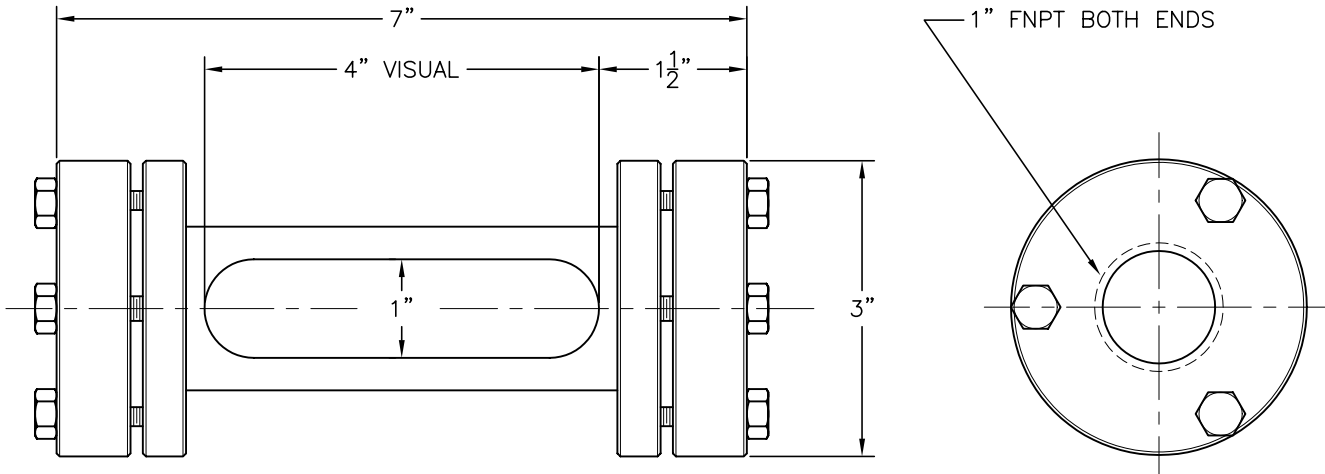


MODEL ASF-TH-1.00



DIMENSION ARE FOR REFERENCE PURPOSES ONLY
AND ARE SUBJECT TO CHANGE AT ANY TIME WITHOUT
NOTICE.

COPYRIGHT © 2003-KENCO INTERNATIONAL, INC.-ALL RIGHTS RESERVED

| REV. | DATE | BY | ECN | EXPLANATION: |
|------|------|----|-----|--------------|
| | | | | |
| | | | | |
| | | | | |
| | | | | |
| | | | | |
| | | | | |
| | | | | |
| | | | | |
| | | | | |
| | | | | |

| | | |
|--|---------------|----------------|
| KENCO ENGINEERING COMPANY TULSA, OKLAHOMA | | |
| INDICATOR, SIGHT FLOW (OUTLINE DRAWING) MODEL ASF-TH-1.00 | | |
| DATE: 02-03-03 | SHEET: 1 OF 1 | DRAWING NUMBER |
| DRN. BY: DPS | CHKD. BY: | C-43644 |
| SCALE: NONE | REVISION: | |