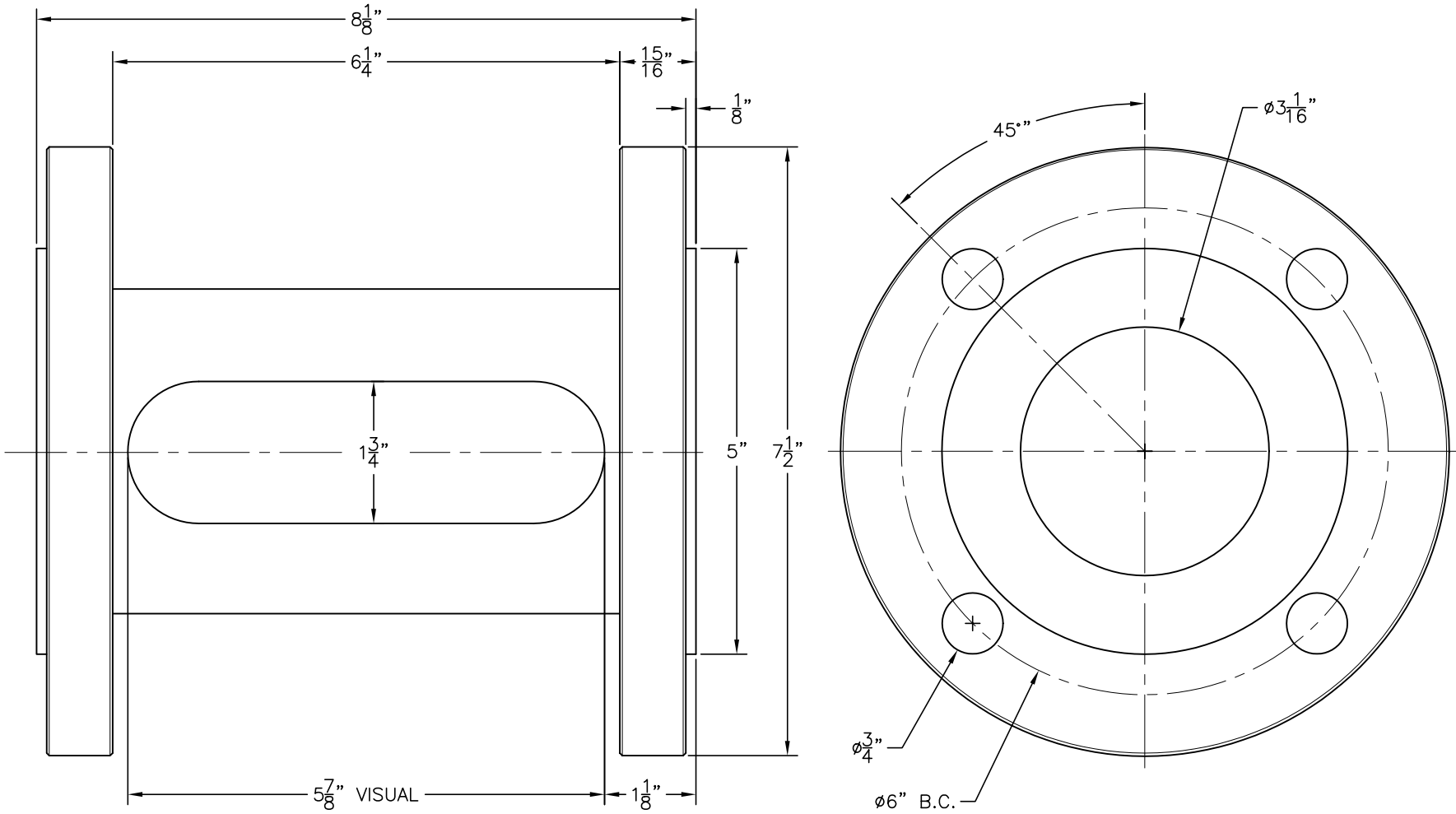


# MODEL ASF-F-3.00



DIMENSION ARE FOR REFERENCE PURPOSES ONLY AND ARE SUBJECT TO CHANGE AT ANY TIME WITHOUT NOTICE.

COPYRIGHT © 2003-KENCO INTERNATIONAL, INC.-ALL RIGHTS RESERVED

| REV. | DATE | BY | ECN | EXPLANATION: |
|------|------|----|-----|--------------|
|      |      |    |     |              |
|      |      |    |     |              |
|      |      |    |     |              |
|      |      |    |     |              |
|      |      |    |     |              |
|      |      |    |     |              |
|      |      |    |     |              |
|      |      |    |     |              |
|      |      |    |     |              |
|      |      |    |     |              |

|   |               |                |
|---|---------------|----------------|
| <b>KENCO ENGINEERING COMPANY</b><br>TULSA, OKLAHOMA         |               |                |
| INDICATOR, SIGHT FLOW<br>(OUTLINE DRAWING) MODEL ASF-F-3.00 |               |                |
| DATE: 02-03-03  | SHEET: 1 OF 1 | DRAWING NUMBER |
| DRN. BY: DPS  | CHKD. BY:     | C-43651        |
| SCALE: NONE   | REVISION:     |                |