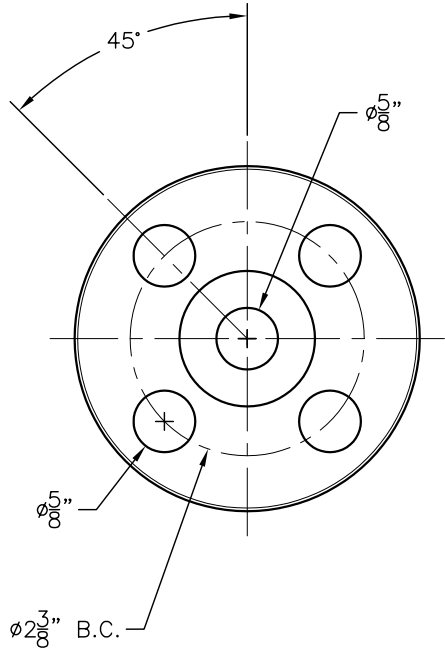
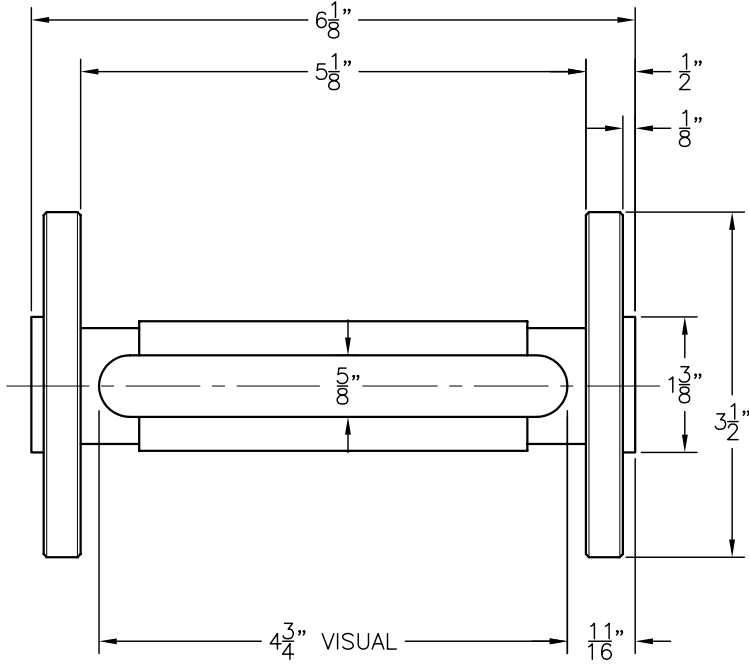


MODEL ASF-F-0.50



DIMENSIONS ARE FOR REFERENCE PURPOSES ONLY
 AND ARE SUBJECT TO CHANGE AT ANY TIME WITHOUT
 NOTICE.

INFORMATION IS PROPRIETARY TO KENCO ENGINEERING CO.

REV.	DATE	BY	ECN	EXPLANATION:

KENCO ENGINEERING COMPANY
 TULSA, OKLAHOMA

INDICATOR, SIGHT FLOW
 (OUTLINE DRAWING) MODEL ASF-F-0.50

DATE: 06-13-08	SHEET: 1 OF 1	DRAWING NUMBER
DRN. BY: DS	CHKD. BY:	C-54737
SCALE: NONE	REVISION:	