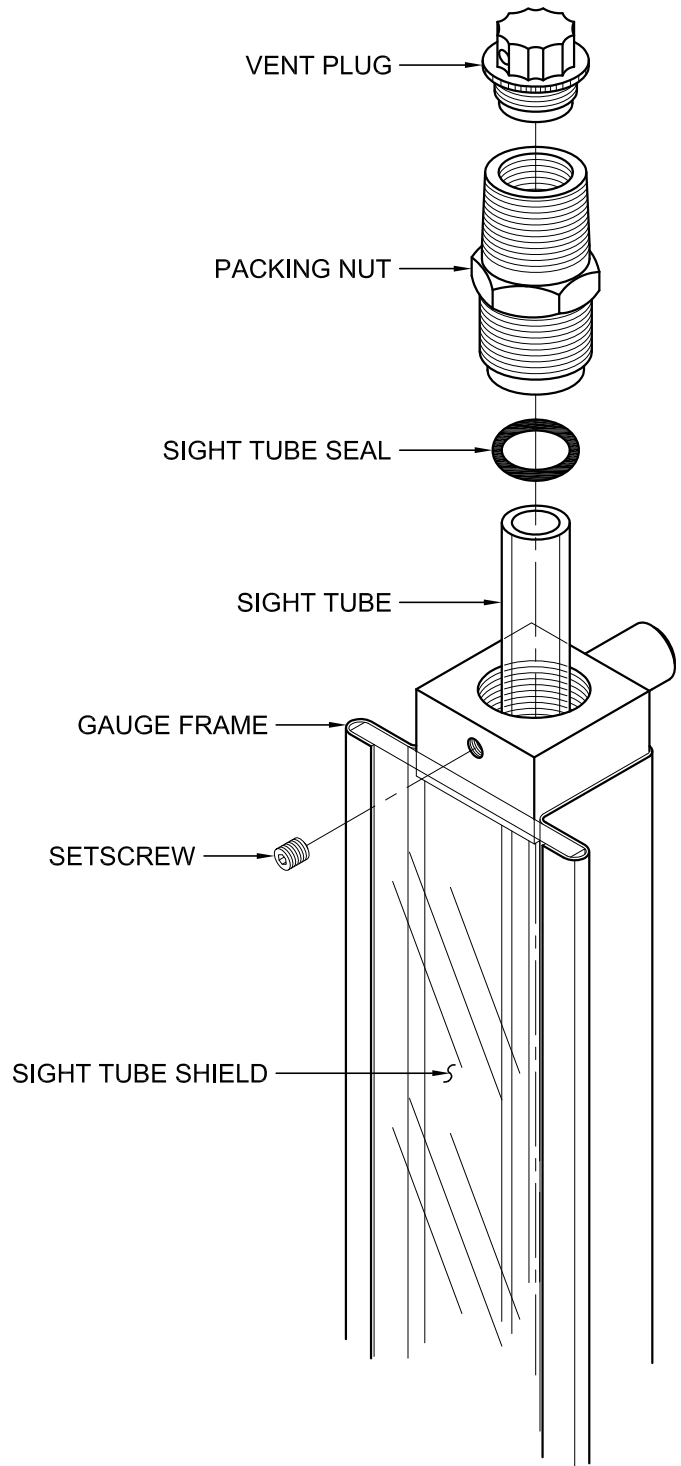


SIGHT TUBE INSTALLATION INSTRUCTIONS FOR KENCO 5700 SERIES BTG WITH METAL PACKING NUTS

- ENSURE THAT GAUGE IS DRAINED AND RELIEVED OF ANY PRESSURE.
- REMOVE LEVEL GAUGE FROM TANK USING A WRENCH ON HEXAGON FLATS OF PACKING NUTS. DO NOT TWIST OFF USING GAUGE FRAME.
- REMOVE SIGHT TUBE SHIELD FROM GAUGE FRAME BY SLIDING OUT TOP.
- LOOSEN HEXAGON SOCKET SETSCREW ON FRONT FACE OF UPPER AND LOWER END BLOCKS.
- REMOVE PACKING NUTS FROM EACH END OF GAUGE.
- CAREFULLY REMOVE SIGHT TUBE AND SEALS.
- SLIDE REPLACEMENT SIGHT TUBE INTO GAUGE FRAME ASSEMBLY.
- INSTALL SIGHT TUBE SEAL ON EACH END OF SIGHT TUBE.
- MAKE SURE SIGHT TUBE EXTENDS EQUAL DISTANCE FROM EACH END OF GAUGE FRAME.
- INSTALL PACKING NUTS AND TIGHTEN TO 20-25 FT. LBS. OF TORQUE.
- TIGHTEN HEXAGON SOCKET SETSCREWS.
- SLIDE SIGHT TUBE SHIELD BACK INTO GAUGE FRAME FROM TOP UNTIL TOP EDGE OF SIGHT TUBE SHIELD IS FLUSH WITH TOP EDGE OF GAUGE FRAME.
- INSTALL GAUGE BACK ONTO TANK USING A WRENCH ON HEXAGON FLATS OF PACKING NUTS. DO NOT TWIST ON USING GAUGE FRAME.
- REINTRODUCE LIQUID BACK INTO GAUGE AND CHECK FOR LEAKS.



P.O. Box 470426 --- Tulsa, Oklahoma 74147
Phone: 918-663-4406 --- Fax.: 918-663-4480
www.kenco-eng.com --- E-mail: info@kenco-eng.com