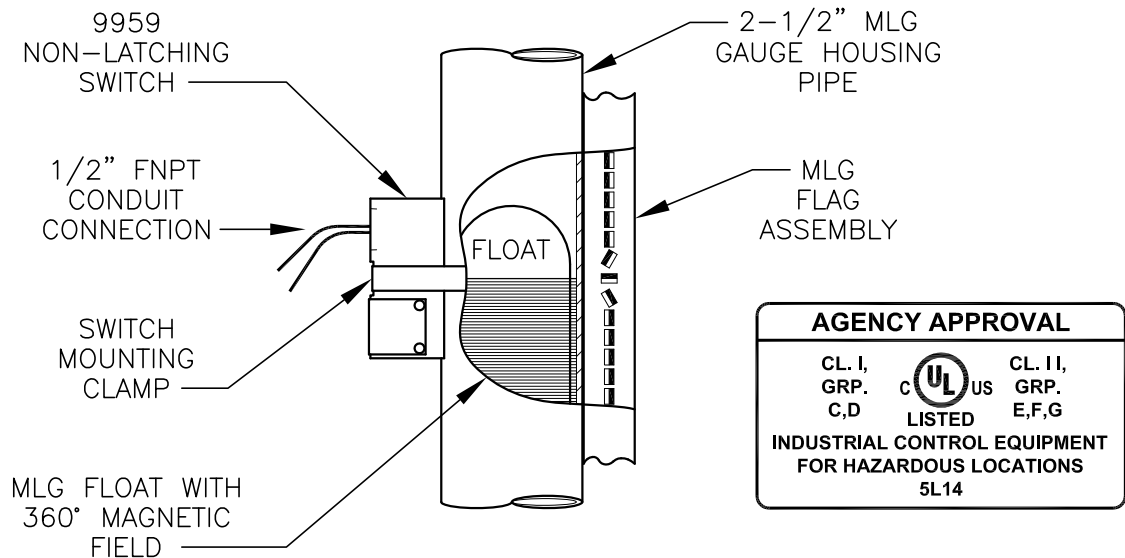


KENCO S.P.S.T. NORMALLY OPEN NON-LATCHING SWITCH PART NUMBER 9959



Switch Installation Instructions for MLG Level Gauges with Float containing a 360° Magnetic Flux Field

Switch can be mounted anywhere around circumference of MLG gauge housing pipe if gauge is equipped with a float containing a 360° magnetic flux field. If gauge is equipped with a float containing a bar magnet, switch should be mounted as illustrated on opposite side of page. The switch 1/2" FNPT conduit connection can be located above or below the switch mounting clamp.

Switch mounting clamp should be positioned around MLG gauge housing pipe and underneath MLG flag assembly. Switches can be located as close as 3-1/4" from each other if mounted end to end. Closer switch trip point distances can be obtained by staggering switch body locations as required.

Switch Specifications:

The switch is a single pole single throw (S.P.S.T.) normally open non-latching switch.

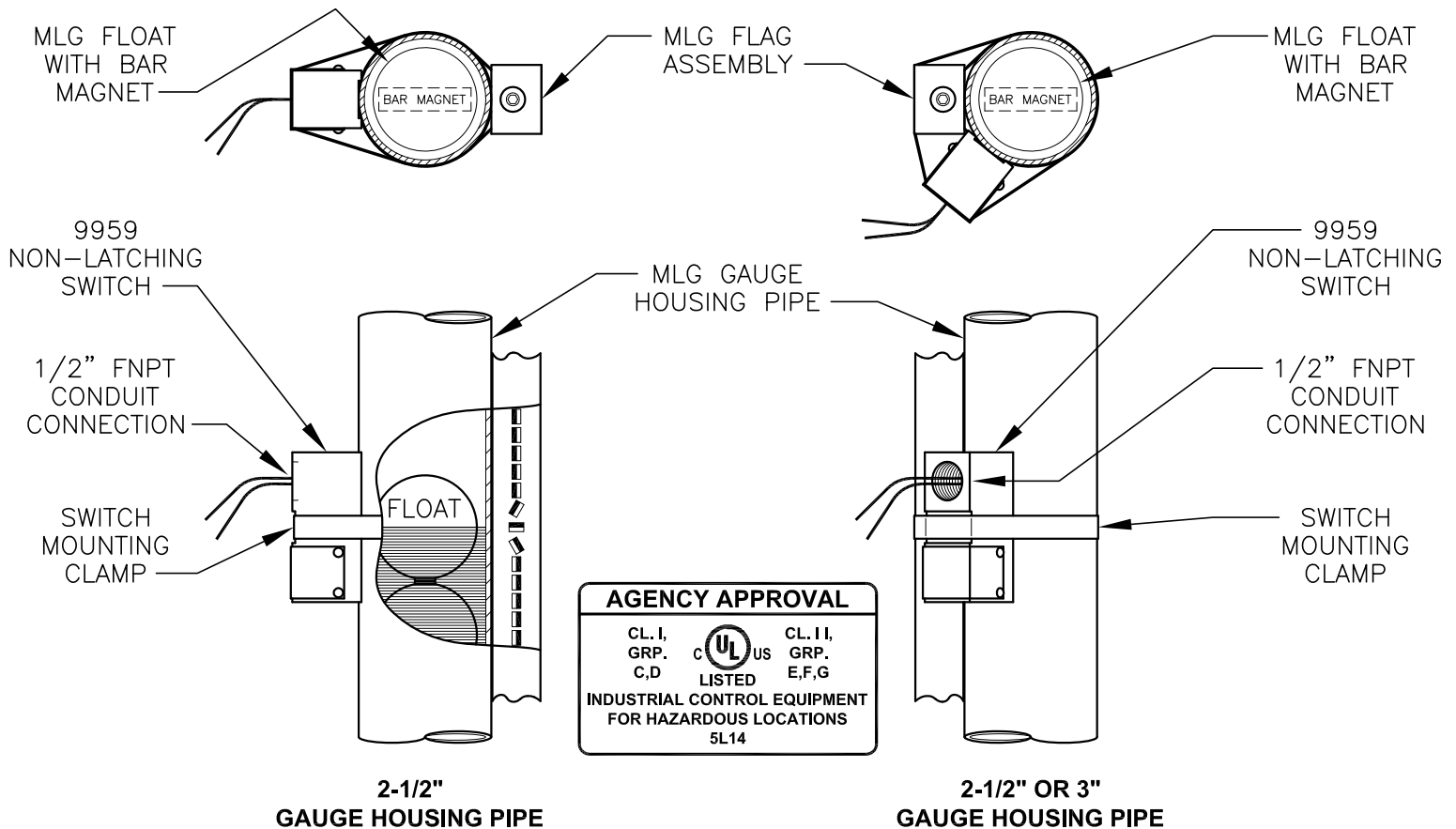
As the liquid level in tank and MLG gauge housing pipe rises and falls, float inside the gauge housing pipe simultaneously reacts with this changing level. A magnetic flux field within the upper end of the float actuates the internal contacts of the mounted switch as float passes by. The switch contacts momentarily close and then return to their "normal condition" (open).

Electrical ratings of switch are as follows:

Maximum switching voltage: 100 VDC, 140 VAC
Maximum switching current: 0.25 AMPS DC, 0.18 AMPS AC
Maximum switching power: 7 WATTS

Maximum recommended application temperature of switch is 221° Fahrenheit. Under no circumstances should ratings be exceeded (individually, or in combination).

KENCO S.P.S.T. NORMALLY OPEN NON-LATCHING SWITCH PART NUMBER 9959



Switch Installation Instructions for MLG Level Gauges with Float Containing a Bar Magnet

Switch should be mounted adjacent to or 180° from MLG flag assembly if gauge is equipped with a float containing a bar magnet. If gauge is equipped with a float containing a 360° magnetic flux field, switch should be mounted as illustrated on opposite side of page. The switch 1/2" FNPT conduit connection can be located above or below the switch mounting clamp.

Switches can be located as close as 3-1/4" from each other if mounted end to end. Closer switch trip point distances can be obtained by staggering switch body locations as required.

Switch Specifications:

The switch is a single pole single throw (S.P.S.T.) normally open non-latching switch.

As the liquid level in tank and MLG gauge housing pipe rises and falls, float inside the gauge housing pipe simultaneously reacts with this changing level. A magnetic flux field within the upper end of the float actuates the internal contacts of the mounted switch as float passes by. The switch contacts momentarily close and then return to their "normal condition" (open).

Electrical ratings of switch are as follows:

Maximum switching voltage: 100 VDC, 140 VAC
Maximum switching current: 0.25 AMPS DC, 0.18 AMPS AC
Maximum switching power: 7 WATTS

Maximum recommended application temperature of switch is 221° Fahrenheit. Under no circumstances should ratings be exceeded (individually, or in combination).