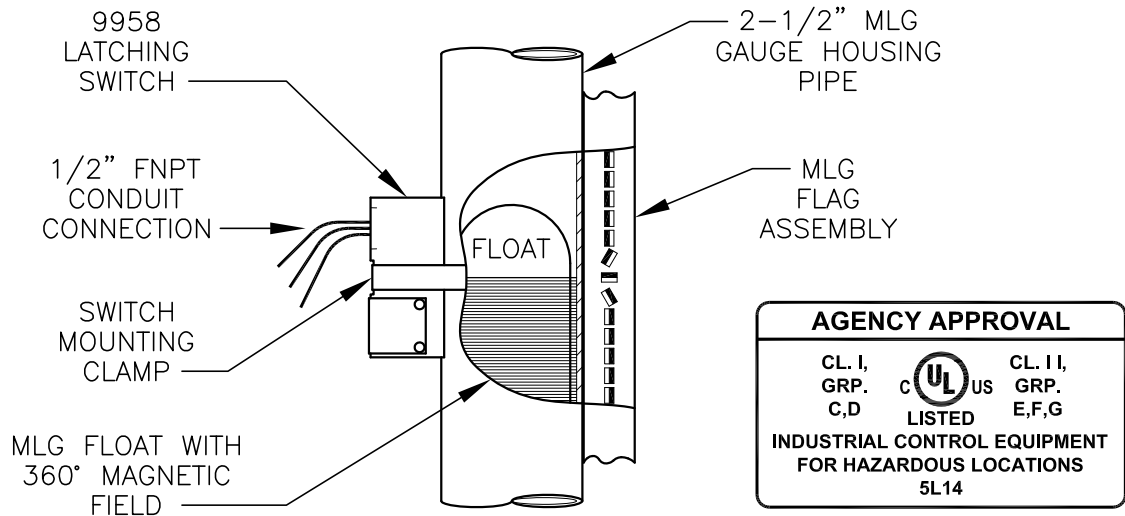


KENCO S.P.D.T. LATCHING SWITCH PART NUMBER 9958



Switch Installation Instructions for MLG Level Gauges with Float containing a 360° Magnetic Flux Field

Switch can be mounted anywhere around circumference of MLG gauge housing pipe if gauge is equipped with a float containing a 360° magnetic flux field. If gauge is equipped with a float containing a bar magnet, switch should be mounted as illustrated on opposite side of page. See illustration above for proper location of switch 1/2" FNPT conduit connection relative to switch mounting clamp when gauge is equipped with a float containing a 360° magnetic flux field.

Switch mounting clamp should be positioned around MLG gauge housing pipe and underneath MLG flag assembly. Switches can be located as close as 3-1/4" from each other if mounted end to end. Closer switch trip point distances can be obtained by staggering switch body locations as required.

Switch Specifications:

The switch is a single pole double throw (S.P.D.T.) latching switch.

As the liquid level in tank and MLG gauge housing pipe rises and falls, float inside the gauge housing pipe simultaneously reacts with this changing level. A magnetic flux field within the upper end of the float actuates the internal contacts of the mounted switch as float passes by.

Wiring color code is as follows:

Red: Normally Closed (N.C.)
White: Common
Blue: Normally Open (N.O.)

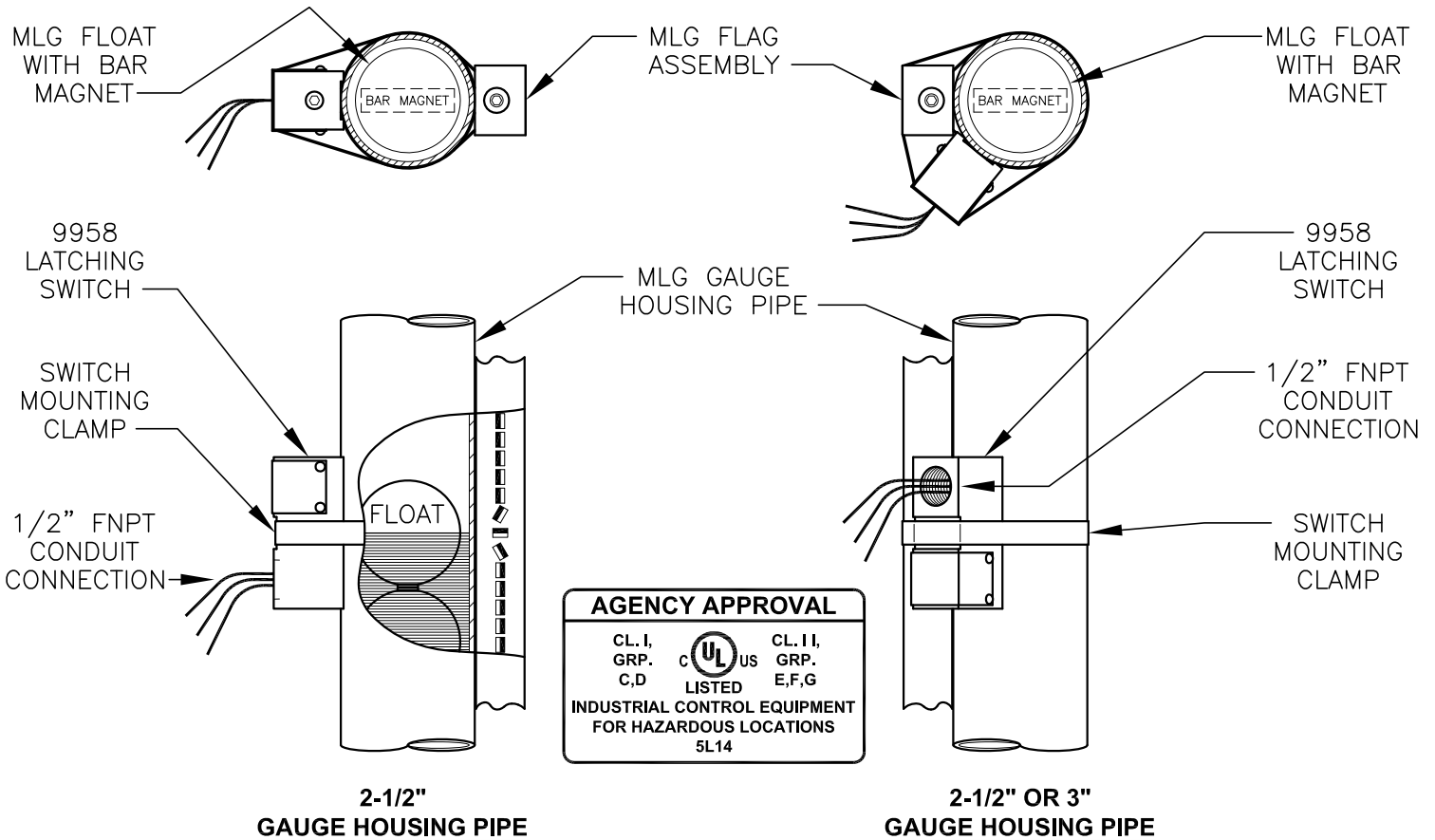
Color code above reflects the "normal condition" of the internal switch contacts when switch is properly installed and tank liquid level has dropped the float below the switch trip point. As liquid level rises, the float magnetic flux field passes by switch and reverses the "normal condition" of the internal contacts. Switch contacts stay in this position (latched) until liquid level falls and float magnetic flux field returns internal switch contacts to their "normal condition".

Electrical ratings of switch are as follows:

Maximum switching voltage: 100 VDC, 140 VAC
Maximum switching current: 0.20 AMPS DC, 0.14 AMPS AC
Maximum switching power: 4 WATTS (4 VA)

Maximum recommended application temperature of switch is 221° Fahrenheit. Under no circumstances should ratings be exceeded (individually, or in combination).

KENCO S.P.D.T. LATCHING SWITCH PART NUMBER 9958



Switch Installation Instructions for MLG Level Gauges with Float Containing a Bar Magnet

Switch should be mounted adjacent to or 180° from MLG flag assembly if gauge is equipped with a float containing a bar magnet. If gauge is equipped with a float containing a 360° magnetic flux field, switch should be mounted as illustrated on opposite side of page. See illustrations above for proper location of switch 1/2" FNPT conduit connection relative to switch mounting clamp when gauge is equipped with a float containing a bar magnet.

Switches can be located as close as 3-1/4" from each other if mounted end to end. Closer switch trip point distances can be obtained by staggering switch body locations as required.

Switch Specifications:

-----See Installation Instructions for MLG Level Gauges with Float containing a 360° Magnetic Flux Field-----