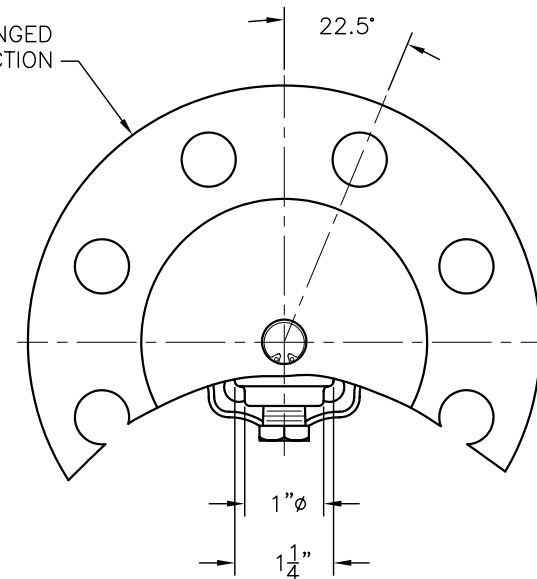


2" 300 LB. R.F. FLANGED  
VESSEL CONNECTION



VALVE BODY MATERIAL:

ADD SUFFIX "-CS" OR "-SS" TO ASSEMBLY NUMBER TO DESIGNATE MATERIALS OF CONSTRUCTION.

"-CS" (DESIGNATES ZINC PLATED CARBON STEEL)

"-SS" (DESIGNATES 316 STAINLESS STEEL)

VALVE STEM PACKING MATERIAL: PTFE

GAUGE CONNECTION SEAL MATERIAL: SPECIFIED BY CUSTOMER

INFORMATION IS PROPRIETARY TO KENCO ENGINEERING CO.

REV.	DATE	BY	ECN	EXPLANATION:

**KENCO ENGINEERING COMPANY**  
TULSA, OKLAHOMA

VALVE, GAUGE GLASS (LOWER) WITH  
3/4" GAUGE CONN., FLANGED VESSEL  
CONN. AND BALL CHECK SHUTOFF

DATE: 03-29-07	SHEET: 1 OF 2	DRAWING NUMBER
DRN. BY: DS	CHKD. BY: BC	C-51126
SCALE: NONE	REVISION:	